



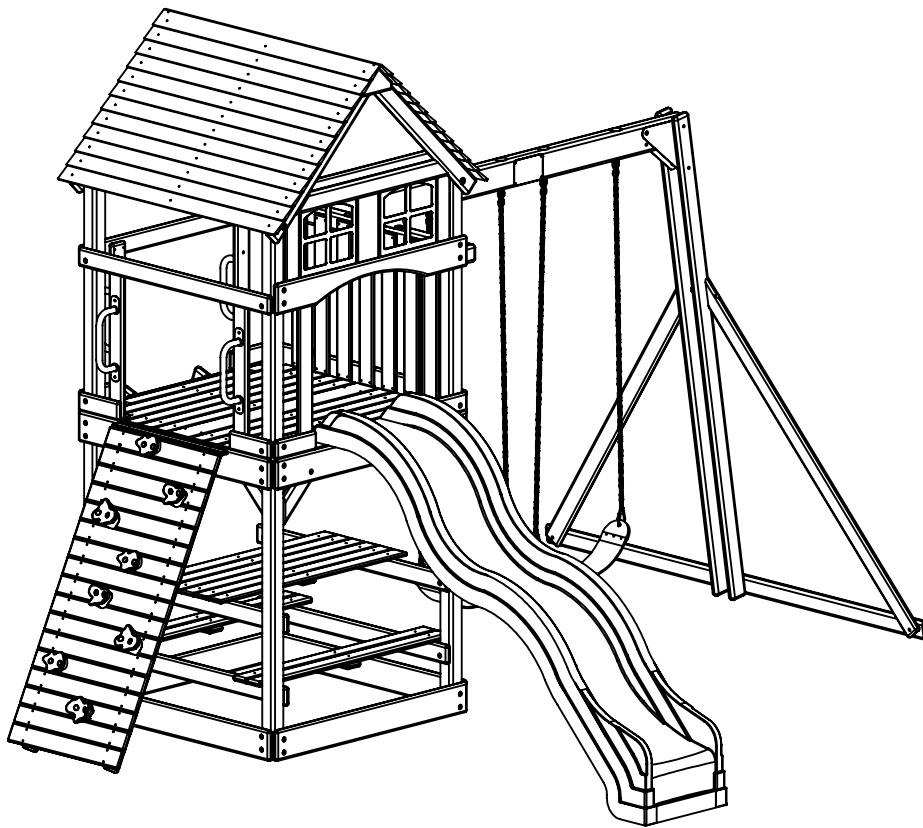
# Rocketship Clubhouse

## Assembly Instructions

5-70-0278

(Rev 0 - 10.25.11)

Contains Assembly, Use, and Maintenance Instructions



**NOTICE:** This product is intended for outdoor family domestic use only with children ages 3 to 10. This product is not suitable for children under 36 months.

**⚠ WARNING:** This owner's manual contains important information about how to assemble, locate, use, and maintain this playground equipment. Read this manual before you start assembly. Follow all instructions. Be sure to educate all children who use this playground and all adult supervisors about the rules for safe use that are contained in this manual.

Keep this Owner's Manual for future reference and to remind you of how to safely use and maintain this equipment.

ROCKET PLAYGROUNDS LLC RESERVES THE RIGHT TO MAKE CHANGES AND MODIFICATIONS TO THIS PRODUCT.

COPYRIGHT 2012 ROCKET PLAYGROUNDS LLC. ALL RIGHTS RESERVED

# **OWNER'S MANUAL**

## ***Rocket Playgrounds LLC***

Thank you for choosing Rocket Playgrounds LLC. For your and your children's safety, please read the instruction manual thoroughly before you start building your Rocket Playgrounds LLC playground. Familiarize yourself with all hardware and parts to help with building your playground.

***WARNING: Failure to follow the assembly, location, use, and maintenance instructions in this manual could result in serious injury to children using this playground.***

<i>Rules for Safe Play.....</i>	<i>2</i>
<i>Choosing Location of Play System.....</i>	<i>3</i>
<i>Choosing Proper Surface Material.....</i>	<i>3-4</i>
<i>Maintenance.....</i>	<i>4</i>
<i>Helpful Tips.....</i>	<i>5</i>
<i>Commonly Asked Questions.....</i>	<i>6</i>
<i>Parts Identification.....</i>	<i>7-11</i>
<i>Hardware.....</i>	<i>12-14</i>
<i>Tools Required for Assembly.....</i>	<i>14</i>
<i>Instructions.....</i>	<i>15-36</i>
<i>Warranty.....</i>	<i>37-38</i>

Thoroughly read all Safety Instructions on pages 2-5 before beginning assembly of your playset.

## Welcome to Rocket Playgrounds LLC

Welcome to our family of ready-to-build residential play equipment. Ease of assembly has been pre-engineered into our product and we provide step-by-step installation instructions.

To ensure safe play for your children, before building your play system, please take some time with your children and go over the **Rules for safe play on your play system**. Do not allow children in the area while you are assembling your play system. Many of the components are very heavy and could seriously injure a child. Observing these rules reduces the likelihood of serious or fatal injury.

**After thoroughly reading the information below, locate your play site and carefully unpack parts.** As you unpack your play system, keep the parts list handy and become familiar with each part before beginning assembly. Remember that a little extra time spent familiarizing yourself with the parts and the instructions before you begin will help to avoid mistakes and save you time later. Please keep these instructions for future reference.

This product is recommended for children 3 to 10 years of age.

**Note: This product is not intended for public use. Rocket Playgrounds LLC does not warranty its Residential Play Equipment subject to commercial use.**

# Safety Instructions

## Rules for Safe Play

***WARNING: Before allowing children to play on this equipment for the first time, carefully review the rules for safe play with them. Observing the following statements and warnings reduces the likelihood of a serious or fatal injury.***

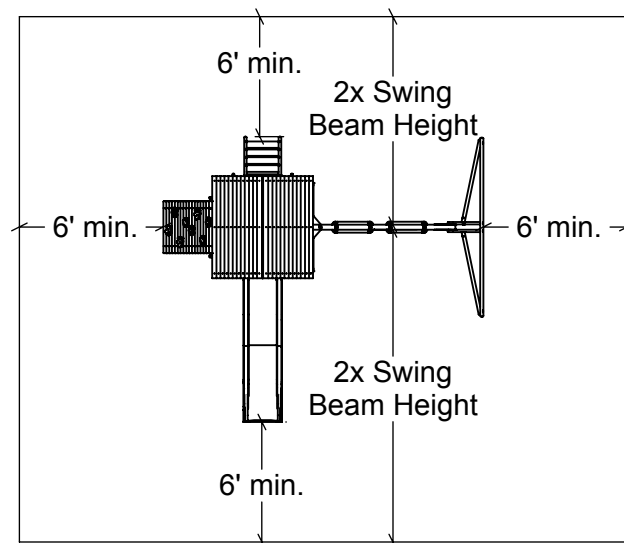
1. **IT IS RECOMMENDED** that no more than 4-6 children, not exceeding a combined weight of 900 pounds, play on the system at one time. This product is recommended for children 3 to 10 years of age.
2. **CLOSE ADULT SUPERVISION** is required for children of all ages.
3. **WARN CHILDREN TO AVOID** playing or walking in front of, behind, or between moving equipment.
4. **WARN CHILDREN NOT TO** twist swing chains or ropes, or to loop them over the top support bar since this may reduce the strength of the chain or rope.
5. **INSTRUCT CHILDREN NOT TO** swing empty seats, trapeze bar, gliders, buoy balls or tire swings.
6. **INSTRUCT CHILDREN** to always sit, never stand or kneel, in the center of the swing seat with their full weight.
7. **INSTRUCT CHILDREN NOT TO** use any part of the play system in a manner other than what it is intended.
8. **INSTRUCT CHILDREN NOT TO** get off equipment while it is in motion.
9. **DRESS CHILDREN APPROPRIATELY. CHILDREN SHOULD NOT** wear scarves, hats with straps, helmets, jackets with draw strings, hooded jackets, poorly fitting shoes, or any other loose fitting clothing that is potentially hazardous while using equipment.
10. **INSTRUCT CHILDREN NOT TO** play on the equipment if it is wet. Potentially slippery surfaces may cause a hazard.
11. **VERIFY** all suspended items such as ropes and chains are secure at both ends.
12. **VERIFY** all suspended items such as climbing ropes are tight so they cannot be looped back on themselves.
13. **INSTRUCT CHILDREN NOT TO** attach items to the play system not specifically intended for use with the play equipment. Items such as, but not limited to, jump ropes, clotheslines, pet leashes, cables and chain may pose a strangulation hazard.
14. **INSTRUCT CHILDREN TO REMOVE** any bike or other sports helmets before playing on the play equipment, as they may pose a possible hanging hazard. Children must be dressed appropriately.
15. **INSTRUCT CHILDREN** there may only be one person on a swing at a time with a maximum weight of 150 pounds per swing.
16. **VERIFY** there are no gaps between the slide bed way and the slide screws.
17. **INSTRUCT CHILDREN** to always go down slides feet first. Never slide head first.
18. **INSTRUCT CHILDREN TO NEVER** climb, crawl, or walk on items not intended for such use. Such types of play on top of Monkey Bars, Fort Roof, and Swing Beams greatly increase the risk of a serious or fatal fall.

## Choosing a location for your play system

When selecting your play site, always keep the child's safety in mind. Here are some recommendations that should help you achieve a safe play area.

1. The play system should be located on solid level ground free of objects that could cause injury such as, but not limited to, tree stumps, roots, and large rocks. Stationary components such as ladders and slides must be no less than SIX FEET (1.8 meters) from any structure or obstruction such as a fence, garage, house, tree or overhanging branches, electrical wires or clotheslines. Any swinging equipment must be a minimum distance of TWICE the height of the swing beam away from any structures or obstructions as specified above. We also recommend that you do not install your play system near a lake, river, swimming pool or other water hazards.
2. If anchoring your play system, all underground utilities must be located in play zone before starting assembly of play system.
3. Try to locate slide out of direct sunlight to reduce the likelihood of serious burns. A slide that faces north will receive the least direct sunlight.
4. It is recommended not to place a set on sandy soil or loose fill as it may require additional anchoring in that situation.
5. Do not install your play system over concrete, asphalt, packed earth, grass, carpet, or any other hard surface. A fall onto a hard surface can result in serious injury to the play system user.

Set Dimensions	Play Zone
L 13 1/2' x W 12' x H 10'	L 25 1/2' x W 27 1/2'



## Choosing a surfacing material

The consumer shall provide playground surfacing materials under and around residential play equipment that conforms to the recommendations of the Consumer Product Safety Commission's Outdoor Home Playground Safety Handbook publications #324. A copy of the section relating to surfacing materials is included in the installation instructions. Free copies of this handbook are available on line at [www.cpsc.gov](http://www.cpsc.gov) or by contacting the CPSC Publications Office in Washington D.C. 20207.

The URL is <http://www.cpsc.gov/cpsc/pub/pubs/324.pdf> and the file size is 456.5KB

Playground equipment should never be placed on hard surfaces such as concrete or asphalt. Do not use loose fill surfacing on top of hard surfaces such as concrete or asphalt. While grass may appear to be acceptable, it may quickly turn to hard packed earth in areas of high traffic. Shredded bark mulch, wood chips, fine sand or fine gravel are considered to be acceptable shock absorbing surfaces when installed and maintained at a sufficient depth under and around playground equipment. The U.S. Product Safety Commission (CPSC) estimates that about 100,000 playground equipment-related injuries resulting from falls to the ground surface are treated annually in U.S. hospital's emergency rooms. Injuries involving this hazard pattern tend to be the most serious of all playground injuries, and have a potential to be fatal, particularly when the injury is to the head. The surface under and around playground equipment can be a major factor in determining the injury-causing potential of a fall. It is self evident that a fall onto a shock absorbing surface is less likely to cause a serious injury than a fall onto a hard surface.

The following information is intended to assist in comparing the relative shock-absorbing properties of various materials. No particular material is recommended over another. However, each material is only effective when properly maintained. Materials should be checked periodically and replenished to maintain correct depth as determined necessary for your equipment. The choice of a material depends on the type and height of your playground equipment, the availability of the material in your area, and its cost.

Table 3.1 lists the maximum height from which a child would not be expected to sustain a life-threatening head injury in a fall onto four different loose-fill surfacing materials if they are installed and maintained at depths of 6, 9, and 12 inches. However, it should be recognized that all injuries due to falls cannot be prevented no matter what surfacing material is used.

Type of Material	6 in. depth	9 in. depth	12 in. depth
Double Shredded Bark Mulch	6 ft.	10 ft.	11 ft.
Wood Chips	6 ft.	7 ft.	12 ft.
Fine Sand	5 ft.	5 ft.	9 ft.
Fine Gravel	6 ft.	7 ft.	10 ft.

Equipment Fall Height	1'	2'	3'	4'	5'	6'	7'	8'	9'	10'	11'	12'
Wood Chips	6"	6"	6"	6"	6"	6"	6 1/2"	7 1/2"	8 1/4"	9"	12"	13"
Double Shredded Bark Mulch	6"	6"	6"	6"	7"	8"	9"	9 3/4"	10 1/2"	11 1/2"	12"	13"
Engineered Wood Fibers	6"	6"	6"	7"	8 1/2"	9"	9 1/2"	10 1/4"	10 3/4"	11"	10 3/4"	12"
Fine Sand	6"	6"	6 1/2"	8"	9"	10"	10 1/2"	11 1/4"	12"	13 1/2"	14 3/4"	16"
Coarse Sand	6"	6"	7 1/2"	9"	10 1/2"	12"	14"	16"	18"	20"	22"	24"
Fine Gravel	6"	6"	6"	6 3/4"	8"	9"	10"	10 3/4"	11 1/2"	12"	13 1/4"	14 1/2"
Medium Gravel	6"	6 1/4"	8"	9"	9"	12"	14"	16"	18"	20"	22"	24"

Chart obtained from U.S. Consumer Product Safety Commission Handbook for Public Playground Safety

**NOTICE:** It is recommended to use containment, such as digging out around the perimeter and/or lining the perimeter with landscape edging for surfacing materials.

Installations of rubber tiles or poured-in-place surfaces (other than loose-fill materials) generally require a professional and are not "do-it-yourself" projects.

When surfacing is to be used it is recommended to use Playground Surfacing Materials (other than loose-fill materials) which comply to the safety standard ASTM 1292 Standard Specification for Impact Attenuation of Surfacing Materials within the Use Zone of Playground Equipment.

## Maintenance of your play system

To ensure safe enjoyment of your Rocket Playground for years to come, follow these maintenance tips:

1. **At the beginning of each usage season and twice each month**, check and tighten as needed (but do not over tighten causing the wood to crack) all nuts and bolts. Acorn nuts should be tightened to 5 foot pounds of torque. Hardware used on swinging elements should be checked at least twice a month to ensure proper fastening.
2. **At the beginning of each usage season and twice each month**, check all coverings for bolts and sharp edges to be certain they are in place. Replace when necessary.
3. **Oil all** metallic moving parts and grease Tire Swivel monthly during the usage period.
4. **Check** all moving parts including swing seats, ropes, and chains for wear, rust, or other deterioration and replace as needed.
5. **Check** all metal parts for rust. If needed, sand and repaint using a nonlead-based paint meeting the requirements of Title 16 CFR Part 1303.
6. **Check** the S-Hooks on the chains to ensure the gap is less than .040 inches. Tighten/close as necessary.
7. **Remove** plastic swing seats and take indoors or do not use when temperature drops below 32° Fahrenheit. Reinstall swing seats when the cold season is complete.
8. **Check, twice a month**, the depth of loose fill protective surfacing materials to prevent compaction and to maintain appropriate depth. Rake or replace as necessary.
9. **When you are ready to dispose of your playset**, make sure all metal, plastic and wood components are disposed of in accordance with local waste ordinances and ensure that no unreasonable hazards exist.
10. **On a yearly basis**, we recommend that you coat your play system with a sealant or preservative. You may also want to spot sand areas before sealing. Be sure that the sealant you select is non-toxic and child safe.
11. **Check** all wood members for deterioration and splinters. Spot sand any areas that are checking or splintering. If parts are deteriorating, replace as needed.

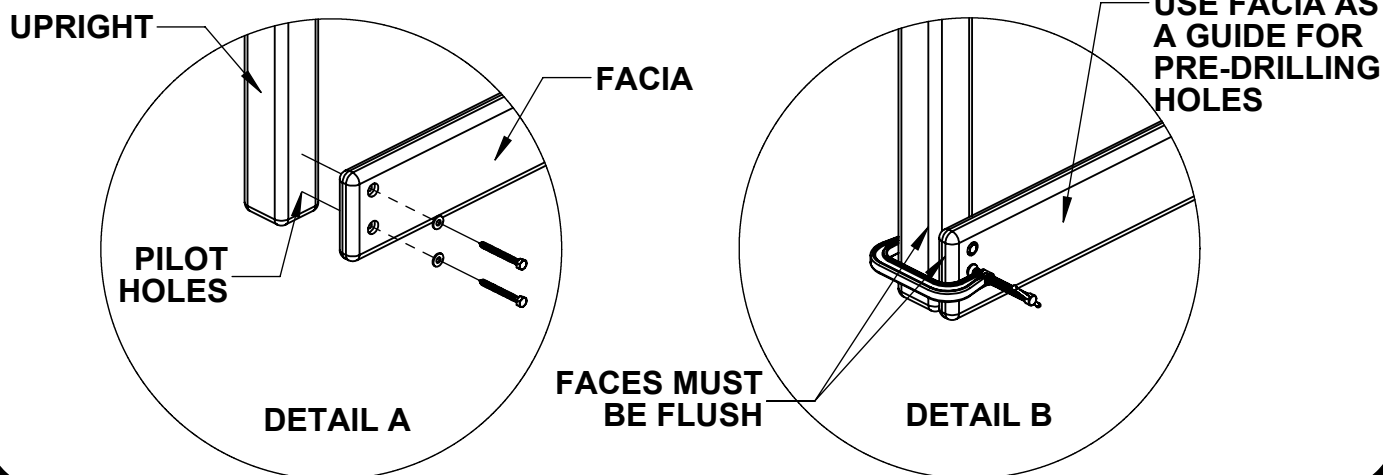
## Helpful Installation Hints

1. **Wear safety glasses to protect your eyes from flying wood chips when drilling or cutting.**
2. **Verify that all bolts and screws are secured tightly and all acorn nuts are snug** (acorn nuts should be tightened to 5 foot pounds of torque).
3. **DO NOT** allow children to play on the play system until it is completely assembled in a proper location.
4. **DO NOT** allow children in the area while you are assembling your play system. Many of the Rocket Playgrounds LLC components are very heavy and could seriously injure a child.
5. **After thoroughly reading all information and properly locating your play system site, carefully unpack parts.** As you unpack your play system, keep the parts list handy and become familiar with each part before beginning assembly. Remember that a little extra time spent familiarizing yourself with the parts and instructions before you begin will help avoid mistakes and save you time later.
6. **Group** both wood and non-wood parts together in accordance to each page, or Step, of this assembly manual. Doing this now will help you quickly locate parts and assemble the set with ease.
7. **Sort** your hardware into groups of similar hardware pieces. Use a solid surface, such as the empty boxes, to ensure you do not lose any hardware.
8. **Before** starting each Step, thoroughly read all of the instructions to ensure all information is understood. Pay special attention to the orientation of each part, details & notes, and proper usage of hardware. Each piece of hardware is required for a certain part of the assembly.
9. **Certain** steps of the assembly are best performed on a hard flat surface to ensure proper and accurate assembly.
10. **All Lag Bolts must have pre-drilled holes 2" deep** (as shown in Detail A). Use a 1/8" drill bit for all 1/4" and 5/16" Lag Bolts and use a 1/4" drill bit for all 3/8" Lag Bolts. Lag Bolts can be difficult to put in knot holes. Pre-drilling pilot holes will help to prevent the Lag Bolts from breaking.
11. **All #14 Phillips Pan Head Tap Screws must have pre-drilled holes 1/2" deep.** Use a 1/8" drill bit.
12. **Use** a clamp to secure facias flush to the Uprights and use holes in fascia as a guide for placing Lag Bolt Pilot Holes (as shown in Detail B).
13. **Verify** Facias are flush with Uprights.
14. **Check** assembly periodically to ensure the set is level and all facias are square to the uprights.
15. If a gap occurs between boards when inserting Screws or Lag Bolts, back out hardware and apply pressure to the top board while reinserting hardware in the same hole.

### WARNING

Drilling, sawing, sanding or machining wood products generates wood dust, a substance known to the State of California to cause cancer. Avoid inhaling wood dust or use a dust mask or other safeguards for personal protection.

California Health and Safety Code Section 25249.6



# COMMONLY ASKED QUESTIONS

Question: How do I know when Lag Bolts and other Fasteners are tightened properly?

Answer: Lag Bolts and other Fasteners are tight when the head of the Lag Bolt and Washer are firmly compressed against the wood. If splintering occurs, that is an indication you are over tightening the Lag Bolts and other Fasteners. (Splintering is when the wood fibers fracture out from under the washers).

Question: What should I do if a Lag Bolt or other Fastener lines up with a knot, or if the Lag Bolt breaks?

Answer: There is extra Hardware provided with the set for this reason. Re-Drill a new hole with a 1/8" Drill Bit in a new direction to miss the obstruction.

Question: What if my Play System is leaning and/or rocks?

Answer: This is caused by unlevelled ground under the Base and Support Wings of the Play System. It may be necessary to remove or add some soil beneath the Play System to make it level. Ground Stakes, when installed, will also provide stability.

Question: What if my Play System has cracks on the wood or seems to be developing cracks?

Answer: Seasonal checks, surface cracks, and knot holes are natural characteristics of all wooden play equipment. A check is a separation of the wood fibers running with the grain. This is caused by varying temperature and moisture conditions. By coating your Play System annually with a sealant or preservative, you can help protect your Play System from developing (not stopping) seasonal checks. Please remember to follow all installation instructions, including installing the play set on solid level ground.

Question: What is the sticky substance that appears on the wood?

Answer: The sticky substance that may appear on the wood is called pitch. It is common for the lumber to have occasional pitch seepage which does not affect the structural integrity of the part. Pitch provides the natural rot resistant characteristics of the lumber. If play surfaces or play items become overly sticky with pitch use rubbing alcohol to safely remove it.

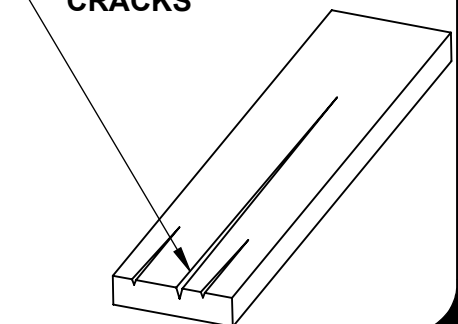
Question: What accessories may be added or what modifications can be made to my Rocket Playgrounds LLC boxed kit set?

Answer: Rocket Playgrounds LLC boxed kit sets are complete kits and are not modular. Play sets with unauthorized accessories or modifications will not be covered under warranty. Non-residential use of the play set voids warranty.


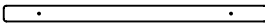


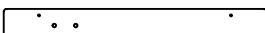
Question: Is my child old enough to use all play items on my set?

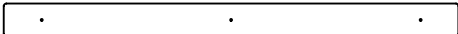
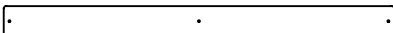
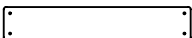
Answer: All play items on Rocket boxed kit sets are designed for children ages 3 to 10, but it is the end user's responsibility to determine suitability of use by their children for each play item.



**EXAMPLE OF SEASONAL CHECKS OR SURFACE CRACKS**



# PARTS IDENTIFICATION

- 200  9 @ 1 x 4 x 27 1/2" RAIL UPRIGHT (3-01-0037)
- 723  1 @ 1 x 4 x 26" TOP ROCK WALL BOARD (3-01-0049)
- 728  9 @ 1 x 4 x 26" ROCK WALL BOARD (3-01-0160)
- 727  4 @ 1 x 4 x 26" INSIDE 2 HOLE RW BOARD (3-01-0136)
- 729  4 @ 1 x 4 x 26" 2 HOLE ROCK WALL BOARD (3-01-0161)

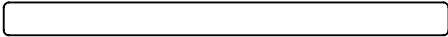
- 205  10 @ 1 x 4 x 45" DECK BOARD (3-01-0042)
- 206  2 @ 1 x 4 x 38 5/8" DECK BOARD (3-01-0043)
- 738  1 @ 1 x 4 x 18 1/2" ENTRAPMENT BOARD (3-01-0163)

- 208  6 @ 1 x 4 x 44" PICNIC TABLE BOARD (3-01-0045)
- 726  24 @ 1 x 4 x 51" ROOF BOARD (3-01-0071)

- 740  2 @ 1 x 4 x 15" CABIN UPRIGHT (3-01-0164)
- 741  1 @ 1 x 6 x 15" CABIN UPRIGHT (3-02-0038)


- 209  1 @ 1 x 6 x 45" DECK BOARD (3-02-0007)

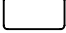
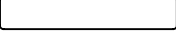
- 210  8 @ 2 x 4 x 16" ANGLED BRACE (3-03-0022)

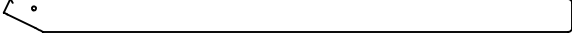
- 213  1 @ 2 x 4 x 44" RUNNER BOARD (3-03-0025)

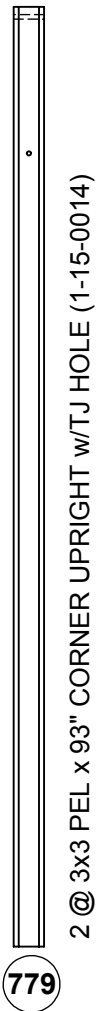
- 724  2 @ 2 x 4 x 34 15/16" RIGHT ROOF SUPPORT (3-03-0070)

- 725  2 @ 2 x 4 x 34 15/16" LEFT ROOF SUPPORT (3-03-0071)

- 739  1 @ 2 x 4 x 36" ANGLED FACIA (3-03-0076)

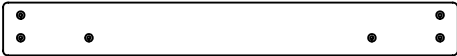
- 718  2 @ 5/4 x 4 x 6" SEAT RUNNER (3-09-0023)
- 719  1 @ 5/4 x 4 x 17 1/2" TABLE RUNNER (3-09-0024)

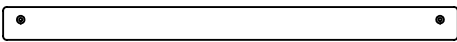
- 722  2 @ 5/4 x 4 x 56 1/4" ROCK WALL LEG (3-09-0092)





# PARTS IDENTIFICATION

**219**   
2 @ 2 x 6 x 45" MAIN BEAM (3-04-0008)

**742**   
6 @ 5/4 x 4 x 45" 2 HOLE FACIA (3-09-0096)

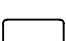
**225**   
6 @ 5/4 x 4 x 9 1/2" CORNER FACIA (3-09-0002)


**226**   
4 @ 5/4 x 4 x 27 1/2" RAIL UPRIGHT w/HANDLE HOLES (3-09-0003)

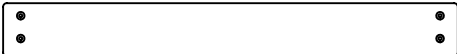
**229**   
4 @ 5/4 x 4 x 45" SEAT BOARD (3-09-0006)

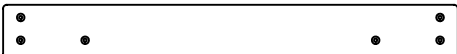
**721**   
2 @ 5/4 x 4 x 33" ROOF RUNNER (3-09-0091)

**734**   
1 @ 5/4 x 4 x 40" FAN HORIZONTAL (3-09-0095)

**243**   
2 @ 5/4 x 4 x 6" SLIDE RUNNER (3-09-0010)

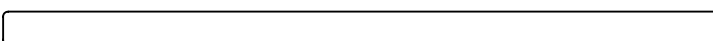
**720**   
2 @ 5/4 x 6 x 7 1/2" PEAK FACIA (3-10-0032)

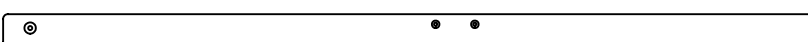
**231**   
6 @ 5/4 x 6 x 45" 4 HOLE FACIA (3-10-0001)

**232**   
2 @ 5/4 x 6 x 45" DECK FACIA (3-10-0002)

**717**   
1 @ 5/4 x 6 x 45" ARCHED FACIA (3-10-0031)

**737**   
4 @ 5/4 x 4 x 17" LADDER STEP (3-09-0094)

**731**   
2 @ 2 x 4 x 87" SWING BEAM SUPPORT LEG (3-03-0072)

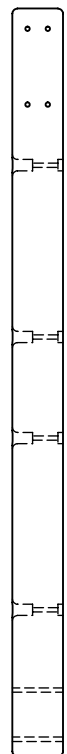
**732**   
1 @ 2 x 4 x 89 1/2" SWING BEAM GROUND RUNNER (3-03-0073)

**733**   
2 @ 5/4 x 4 x 69" SWING BEAM WING (3-09-0093)

**716**   
1 @ 4 x 4 x 45" TOP JOIST W/ SWING HOLES (3-06-0063)

**735**   
1 @ 2 x 4 x 55 5/16" LEFT STEP LADDER LEG (3-03-0074)

**736**   
1 @ 2 x 4 x 55 5/16" RIGHT STEP LADDER LEG (3-03-0075)

**730**   
1 @ 4 x 6 x 74" SWING BEAM (3-07-0009)

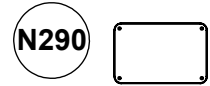
# PARTS IDENTIFICATION



**N8**  
8@ Small 90° Bracket



**N5**  
4@ Safety Handle - Yellow



**N290**  
1@ Plaque



**N7**  
2@ 90° Bracket - Blue

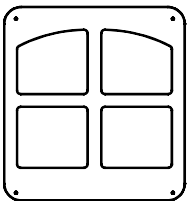


**N9**  
2@ 90° Bracket - Brown



**N156**  
8@ Rock

**N185**



2@ Window Panel - Green

**N208**



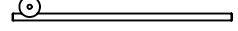
4@ Nylon Swing Hanger

**N31**



4@ Pear Link

**N28**



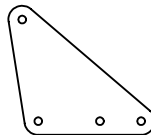
6@ Rebar Stake

**N15**



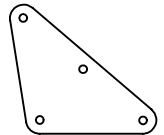
2@ Swing Seat - Green

**N11**



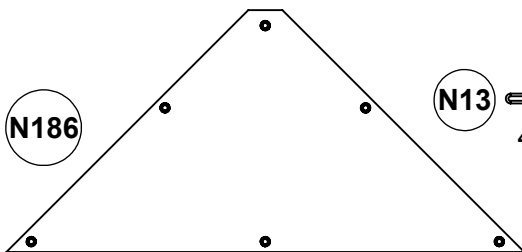
2@ Swing Beam Support Plate

**N10**



1@ Swing Beam Plate - Brown

**N186**



2@ Fan Mesh - Yellow

**N13**



4@ Long Chain - Yellow

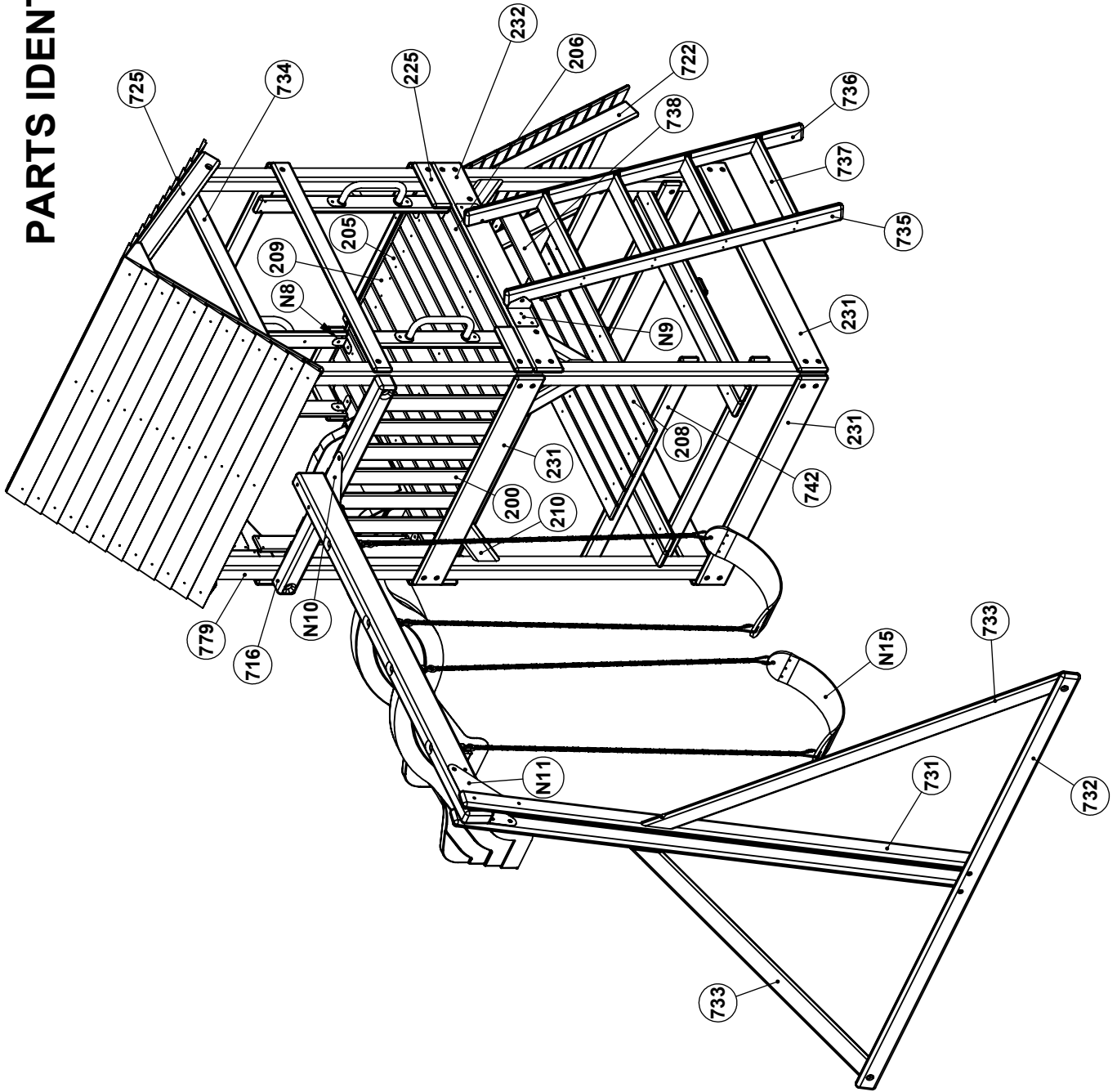
## Parts Not Shown

**N289**

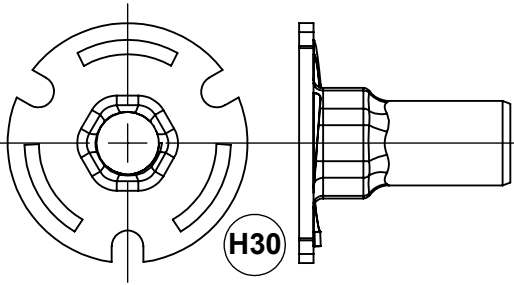
1@ Wave Slide - Green



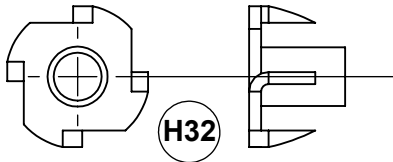
# PARTS IDENTIFICATION



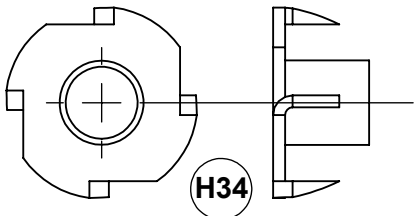
# HARDWARE FOR ASSEMBLY



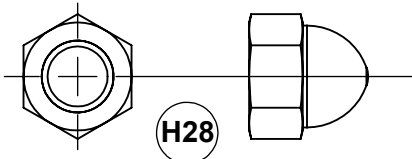
H30



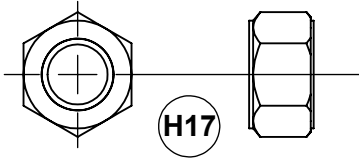
H32



H34



H28



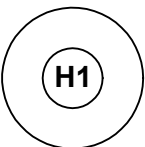
H17



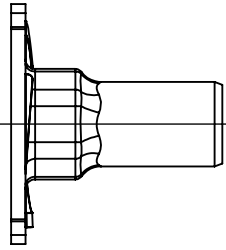
H9



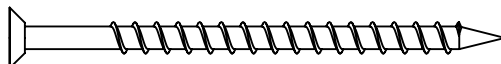
H7



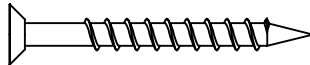
H1



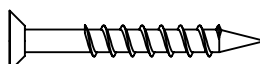
H155



H152



H194

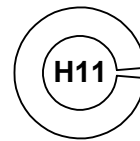
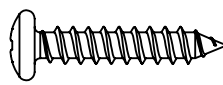


H181

H154

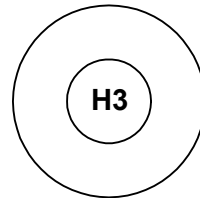
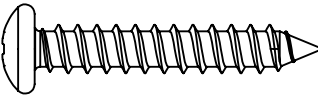


H157



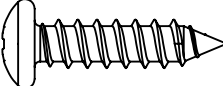
H11

H166

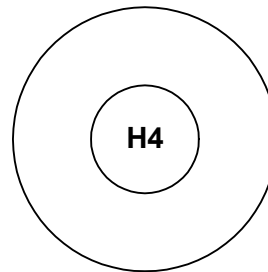
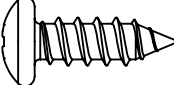


H3

H164



H163



H4

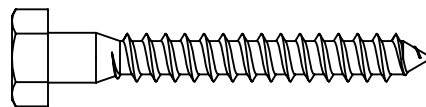
H169



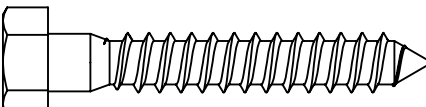
H170



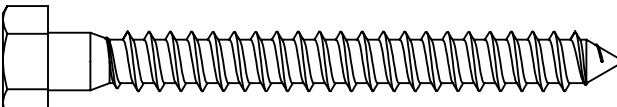
H93



H104



H108



0

1

2

3

4

5

6

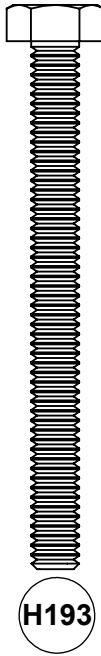
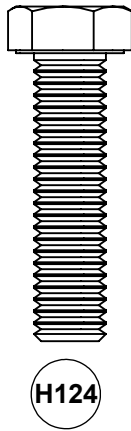
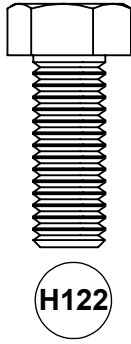
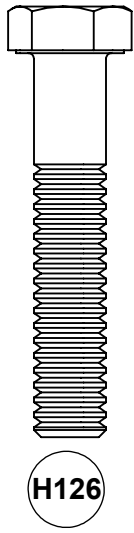
7

8

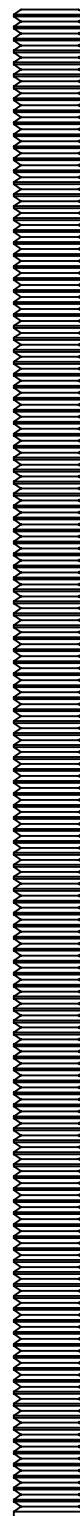
9

# HARDWARE FOR ASSEMBLY

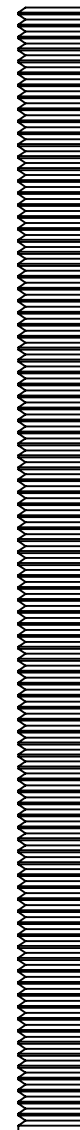
\*NOTE: Thread length may vary from what is pictured.



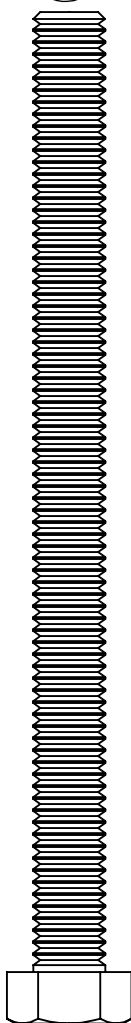
H59



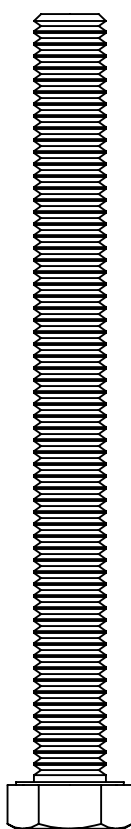
H55



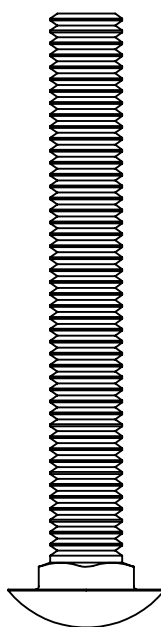
H132



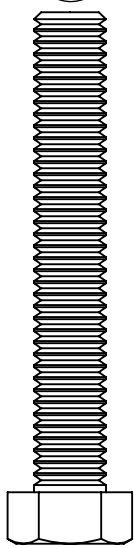
H130



H49



H184



# Rocketship Club Hardware List

<u>F/N#</u>	<u>DESCRIPTION</u>	<u>DIMENSION</u>	<u>QTY</u>
H1	Flat Washer	1/4"	82
H3	Flat Washer	3/8"	20
H4	Flat Washer	1/2"	6
H7	SAE Washer	1/4"	60
H9	Lock Washer	1/4"	2
H11	Lock Washer	3/8"	24
H17	Standard Nut	3/8"	6
H24	Nylock Nut	3/8"	4
H28	Acorn Nut	3/8"	6
H30	Round Pallet Nut	3/8"	8
H32	4 Prong T-Nut	1/4"	26
H34	4 Prong T-Nut	3/8"	6
H49	Carriage Bolt	3/8" x 3"	2
H55	Carriage Bolt	3/8" x 6"	3
H59	Carriage Bolt	3/8" x 8"	1
H93	Lag Bolt	1/4" x 2"	6
H104	Lag Bolt	5/16" x 2"	8
H108	Lag Bolt	5/16" x 3"	72
H193	Hex Bolt	1/4" x 2 3/4"	2
H122	Hex Bolt	3/8" x 1"	2
H124	Hex Bolt	3/8" x 1 1/2"	4
H126	Hex Bolt	3/8" x 2"	2
H184	Hex Bolt	3/8" x 2 1/2"	1
H130	Hex Bolt	3/8" x 4"	4
H132	Hex Bolt	3/8" x 5"	1
H194	Phillips Wood Screw	#8 x 1 1/4"	78
H152	Phillips Wood Screw	#8 x 1 1/2"	203
H154	Phillips Wood Screw	#8 x 2"	12
H155	Phillips Wood Screw	#8 x 2 1/2"	18
H157	Phillips Pan Head Tap Screw	#10 x 1"	4
H163	Phillips Pan Head Tap Screw	#14 x 3/4"	8
H164	Phillips Pan Head Tap Screw	#14 x 1"	20
H166	Phillips Pan Head Tap Screw	#14 x 1 1/2"	2
H169	Phillips Pan Head Machine Screw	1/4" x 1"	8
H170	Phillips Pan Head Machine Screw	1/4" x 1 1/4"	16
H181	Wafer Head Screw	#8 x 3/4"	20

NOTE: EXTRA HARDWARE IS INCLUDED IN THE BAGS.  
NOT ALL HARDWARE WILL BE USED TO COMPLETE THE INSTALLATION.

## TOOLS REQUIRED FOR ASSEMBLY

Tape Measure Carpenters Level Carpenters Square Rubber Mallet Claw Hammer Wood Clamp Standard or Cordless Drill with #2 & #3 Phillips Bits	Electric Impact Gun or 1/4" and 3/8" Ratchet 1/8" Drill Bit 7/16" Drill Bit Torque Wrench Crescent® Wrench	7/16" Deep Well Socket 1/2" Deep Well Socket 9/16" Deep Well Socket 9/16" Box Wrench 8' Step Ladder Safety Glasses Adult Helper
---	---	---

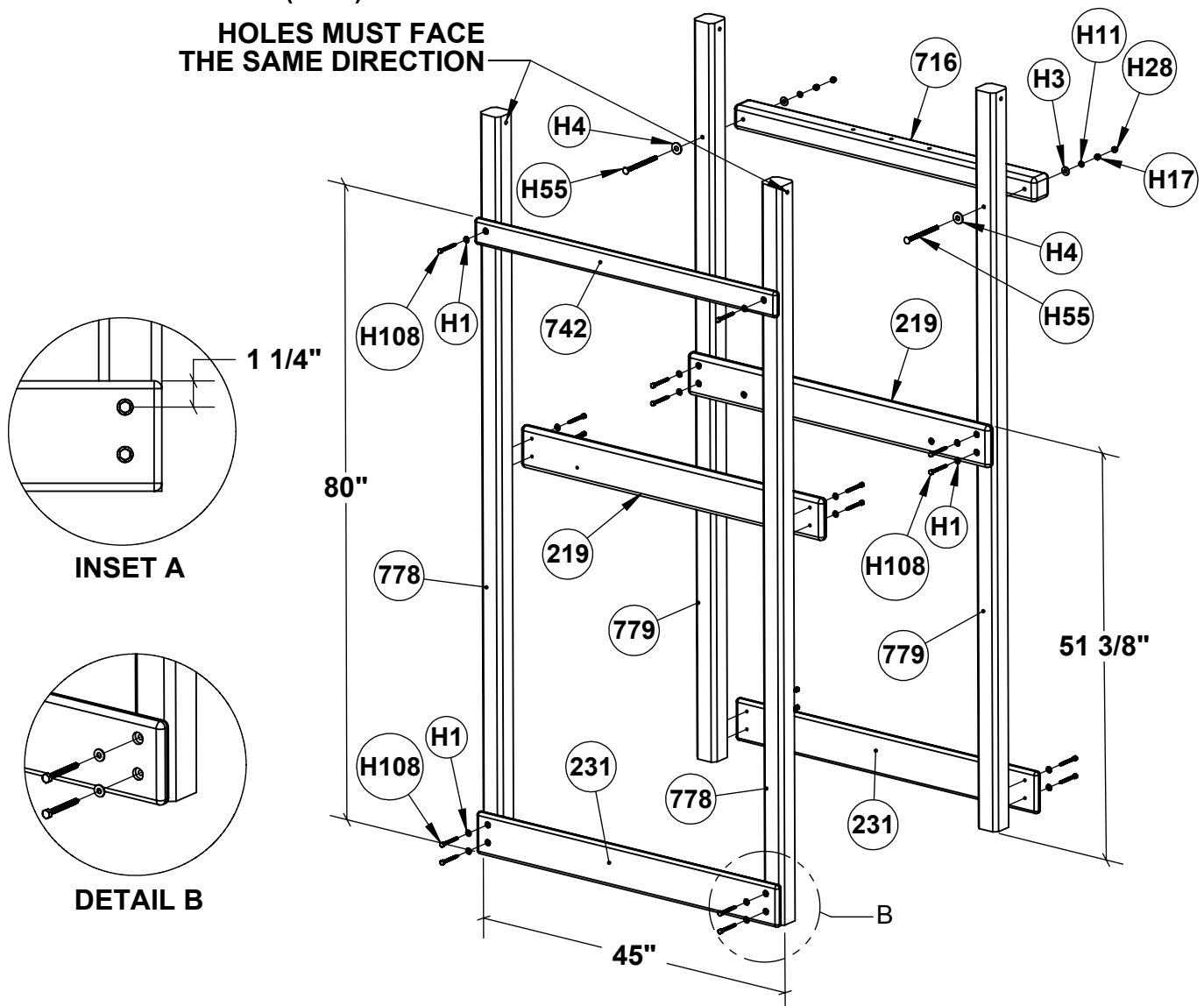
# Step 1

## Wall Assembly

**\*NOTE: Pre-drill holes for all 5/16" Lag Bolts with a 1/8" drill bit.**

**\*NOTE: Do not fully tighten thru bolt hardware at this time.**

1. Position Corner Uprights (778) (779) on the ground. Diagram shows assembly standing up for proper assembly only. Assemble both wall assemblies separate.
2. Attach Top Joist w/Swing Holes (716) to Corner Uprights w/TJ Holes (779) using 1/2" Hardware (H4) and 3/8" Hardware (H3) (H11) (H17) (H28) (H55).  
**\*NOTE: Do not fully tighten thru bolt Hardware at this time.**
3. Attach bottom 4 Hole Facias (231) to Corner Uprights (778) (779) using 5/16" Hardware (H108) and 1/4" Hardware (H1). Assembly must measure 45" (as shown) when properly assembled. Holes at the top of Corner Uprights (778) must face the same direction.  
**\*NOTE: 4 Hole Facias (231) must be flush with bottoms and sides of Corner Uprights (778) (779). Holes are offset, orient as shown in Inset A.**  
**\*SUGGESTION: When installing Facias, put bottom lag bolts in first and check that measurements are correct and assembly is square before inserting top lag bolts.**
4. Measure up 51 3/8" up on Corner Uprights (778) (779). Position Main Beams (219), with inside holes down, and attach using 1/4" Hardware (H1) and 5/16" Hardware (H108).
5. Measure up 80" on Corner Uprights (778) and attach 2 Hole Facia (742) using 1/4" Hardware (H1) and 5/16" Hardware (H108).



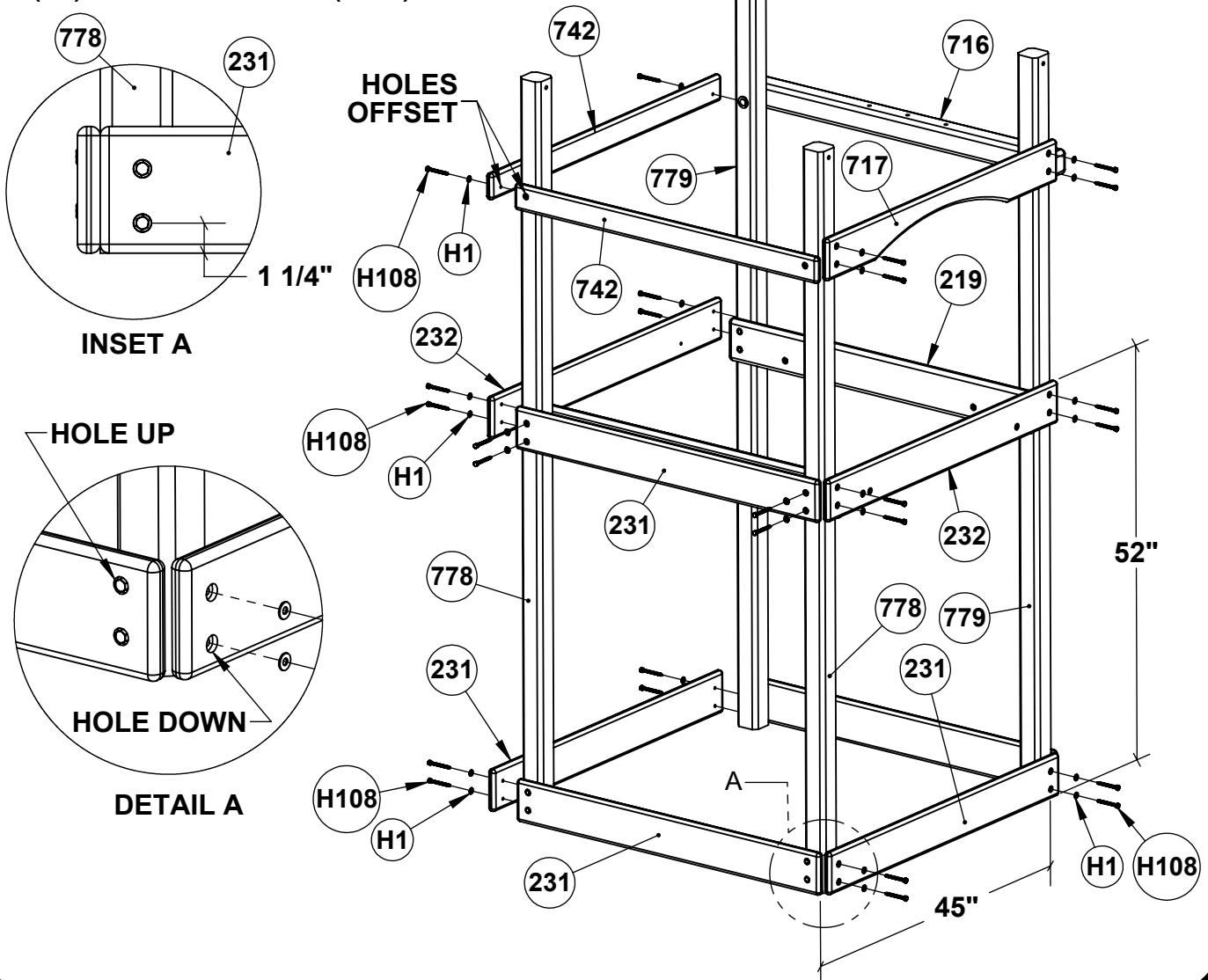


# Step 2

## Facia Installation

**\*NOTE: Pre-drill holes for all 5/16" Lag Bolts with a 1/8" drill bit.**

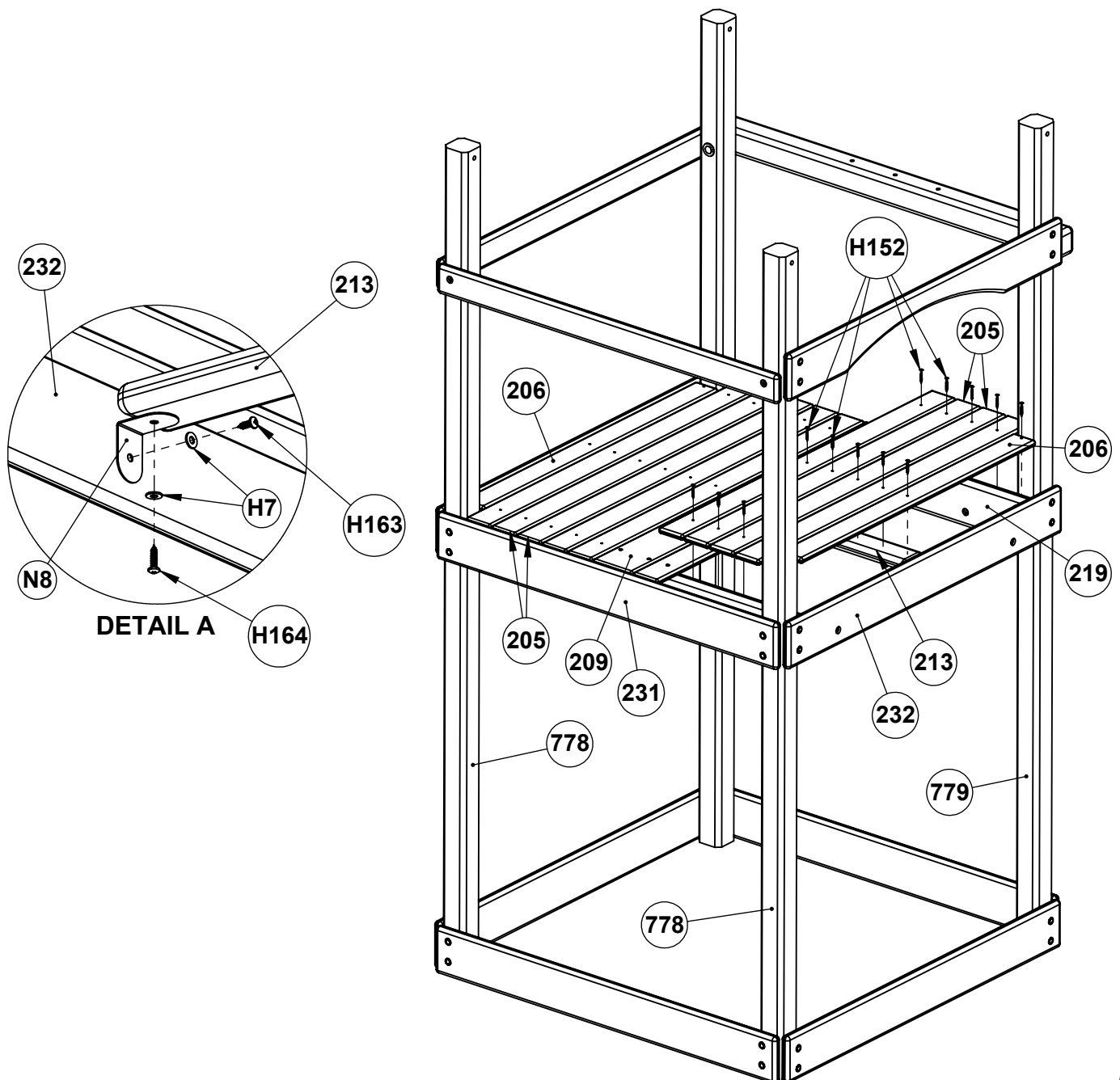
1. Attach bottom 4 Hole Facias (231) to Corner Uprights (778) (779) using 5/16" Hardware (H108) and 1/4" Hardware (H1). Assembly must measure 45" (as shown) when properly assembled.  
**\*NOTE: 4 Hole Facias (231) must be flush with bottoms of Corner Uprights (778) (779). Holes are offset, orient as shown in Inset A and Detail A.**  
**\*SUGGESTION: When installing Facias, put bottom lag bolts in first and check that measurements are correct and assembly is square before inserting top lag bolts.**
2. Measure up 52" up on Corner Uprights (778) (779). Position Deck Facias (232), with inside holes down, and attach using 1/4" Hardware (H1) and 5/16" Hardware (H108).
3. Flush top face of 4 Hole Facia (231) with top face of Deck Facias (232) and attach using 1/4" Hardware (H1) and 5/16" Hardware (H108).
4. Flush top face of 2 Hole Facia (742) with top face of Top Joist with Swing Holes (716) and attach to Uprights (778) (779) using 1/4" Hardware (H1) and 5/16" Hardware (H108). Holes in 2 Hole Facia (742) should be offset from the holes in the previously installed 2 Hole Facia (742).
5. Position Arched Facia (717) on Corner Uprights (778) (779) with the bottom flush with the bottoms of the Top Joist (716) and 2 Hole Facia (742) and attach Arched Facia (717) with 1/4" Hardware (H1) and 5/16" Hardware (H108).



# Step 3

## Deck Installation

1. Evenly space Deck Boards (205) (206) (209) across Main Beams (219) in the pattern shown below.
2. Attach Deck Boards (205) (206) (209) to Main Beams (219) using #8 Hardware (H152).
3. Center Runner Board (213) on center pre-drilled holes (as shown) and attach to Deck Boards using #8 Hardware (H152).
4. Center Small 90° Brackets (N8) at the ends of Runner Board (213) on the bottom side of the deck and attach to Deck Facia (232) and Runner Board (213) using #14 Hardware (H163) (H164) and 1/4" Hardware (H7).



# Step 4

## Angled Brace Installation

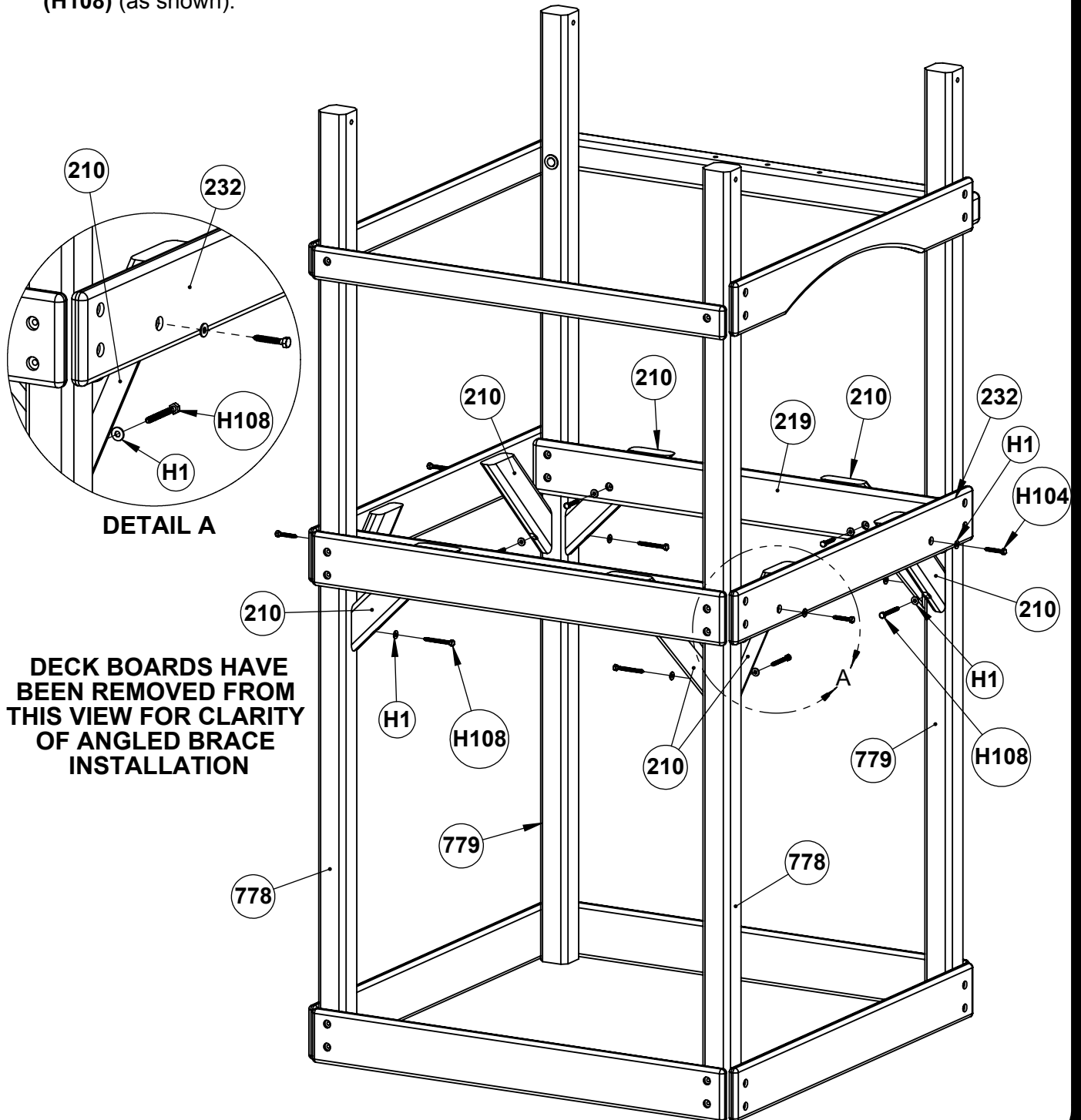
**\*NOTE:** Pre-drill holes for all 5/16" Lag Bolts with a 1/8" drill bit. Angled Braces (210) may split if not pre-drilled as suggested.

1. Position Angled Slim Braces (210) against Deck Facias (232), Main Beams (219), Corner Uprights (778) (779) and the bottom side of previously installed Deck Boards.

**\*SUGGESTION:** Place the lower end of Slim Braces (210) flush with the inside edge of the angled section of Corner Uprights. Slims may be at a slight angle.

**\*NOTE:** Deck Boards have been removed from this view for clarity of Angled Brace installation.

2. Secure Angled Slim Braces (210) in place using 1/4" Hardware (H1) and 5/16" Hardware (H104) (H108) (as shown).

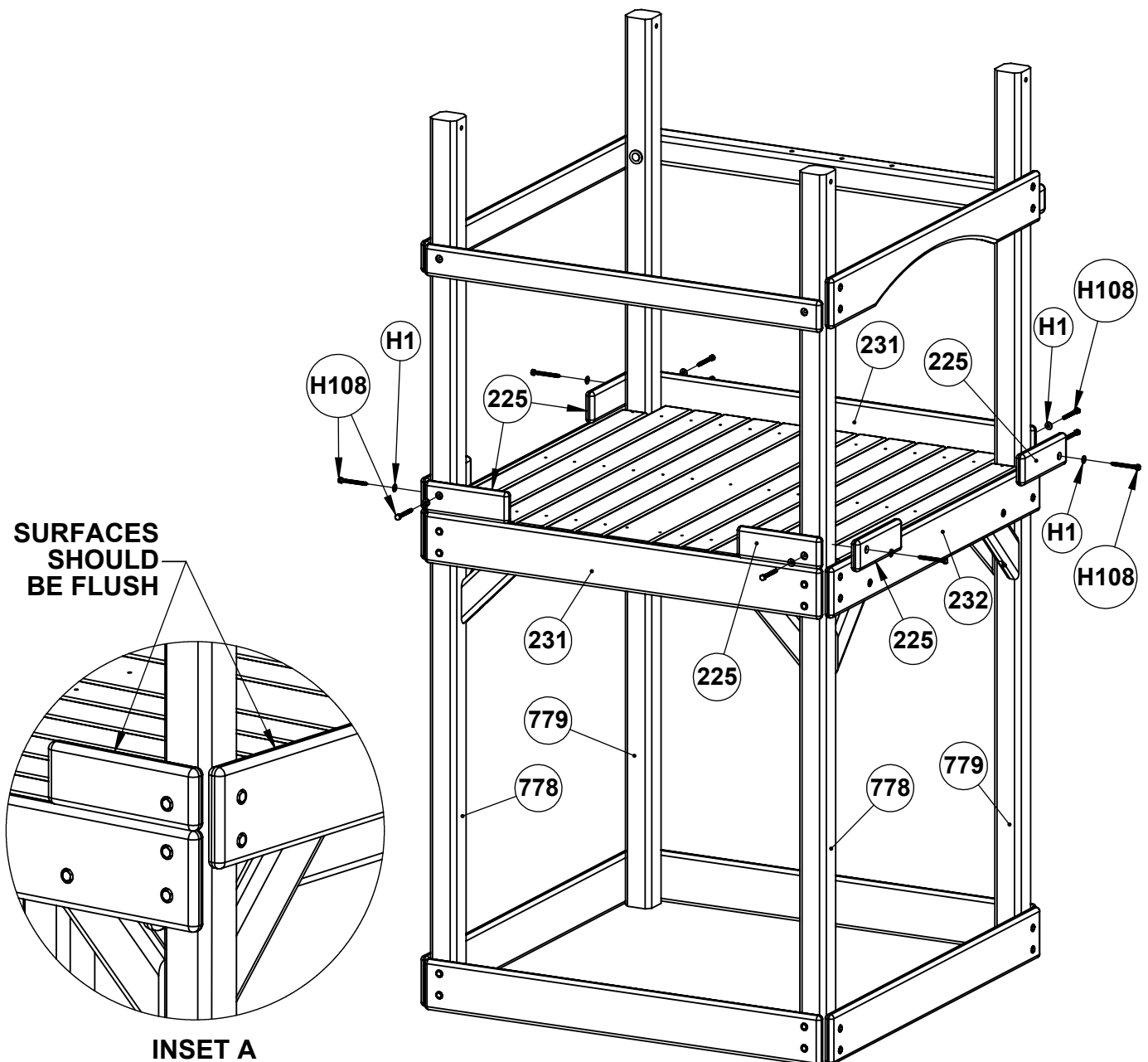


# Step 5

## Facia Installation

**\*NOTE:** Pre-drill holes for all 5/16" Lag Bolts with a 1/8" drill bit.

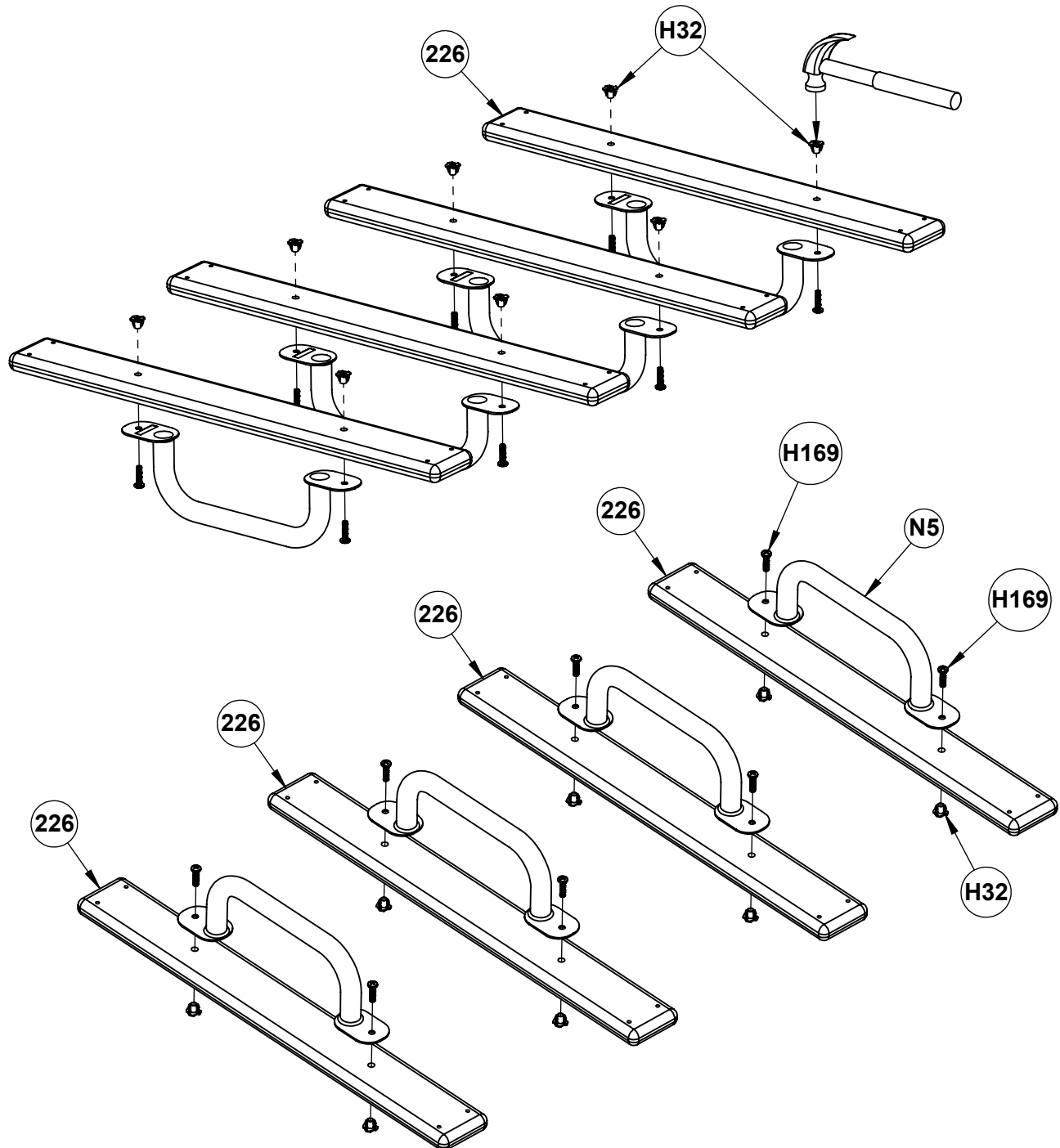
1. Position Corner Facias (225) directly on top of Facias (231) (232) and flush with the outside face of Uprights (778) (779).
2. Attach Corner Facias (225) to Uprights (778) (779) using 1/4" Hardware (H1) and 5/16" Hardware (H108).
3. Position top of 4 Hole Facia (231) flush with the tops of Corner Facias (225) (as shown in Inset A) and attach to Uprights (779) using 1/4" Hardware (H1) and 5/16" Hardware (H108).



# Step 6

## Safety Handle Installation

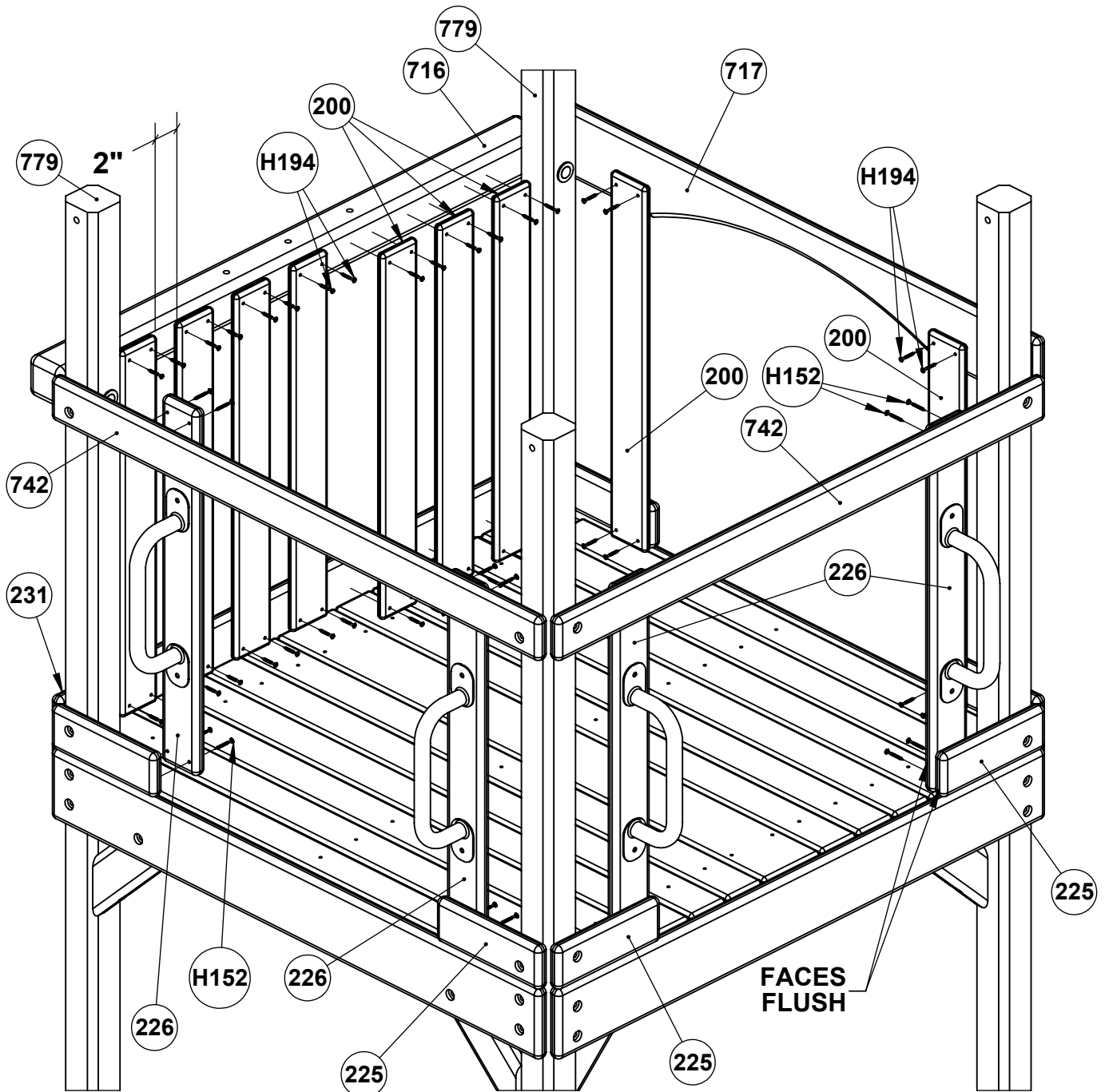
1. Lay Rail Uprights w/Handle Holes (226) flat on the ground. Install 1/4" Hardware (H32) into pre-drilled holes (as shown). A small hammer or mallet may be used if needed.
2. Flip Rail Uprights w/Handle Holes (226) and attach Safety Handles (N5) (as shown) using 1/4" Hardware (H169) and previously installed 1/4" Hardware (H32).



# Step 7

## Rail Installation

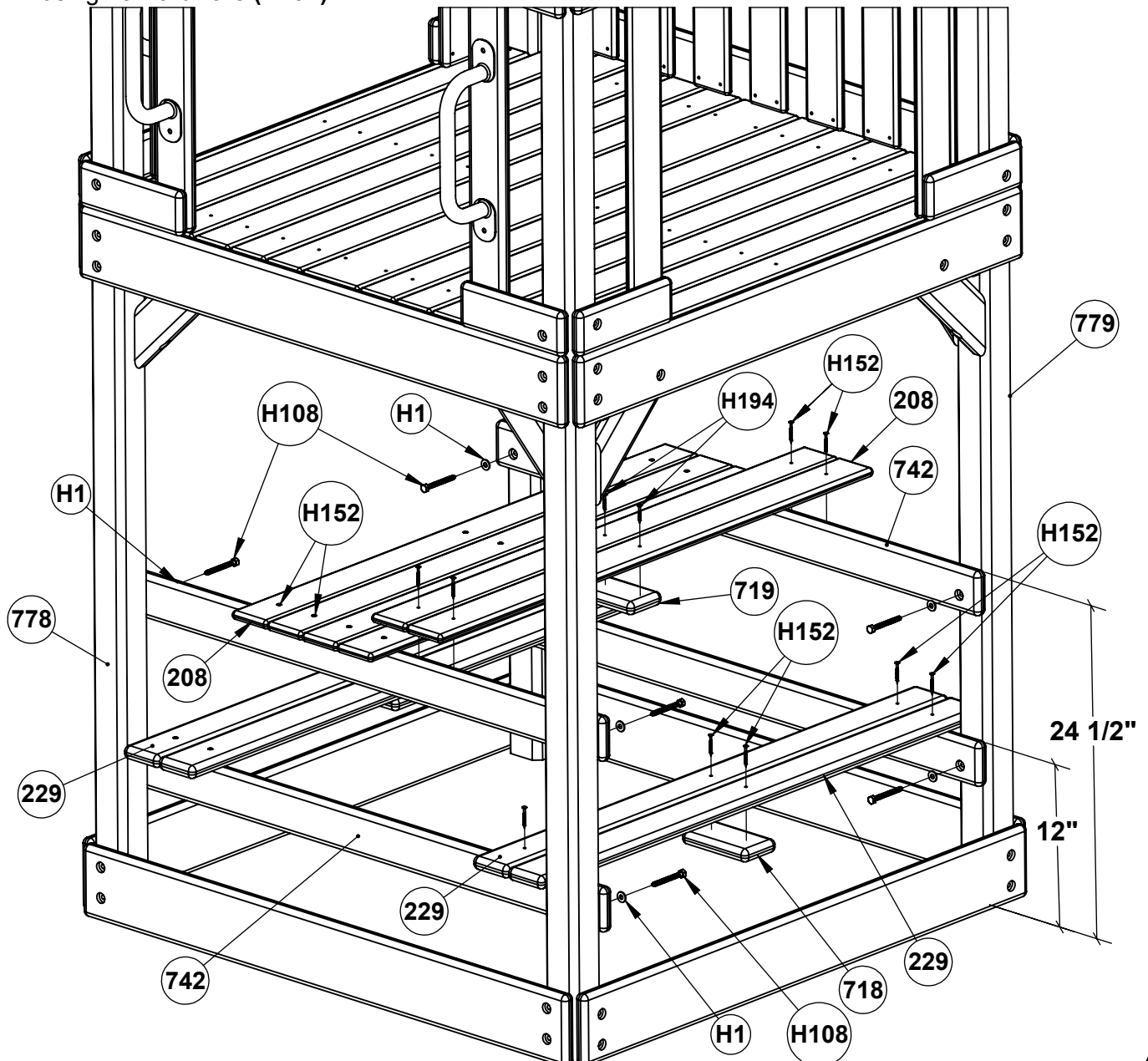
1. Evenly space Rail Uprights (**200**) between Corner Uprights (**779**) and attach to Top Joist w/Swing Holes (**716**) and 4 Hole Facia (**231**) using #8 Hardware (**H194**).
2. On the side with the Arched Facia (**717**), attach Rail Uprights (**200**) to each Corner Facia (**225**) and Arched Facia (**717**) using #8 Hardware (**H194**). Outside faces should be flush.
3. Attach Rail Uprights w/Handle Holes (**226**) to Corner Facias (**225**) and 2 Hole Facias (**742**) using #8 Hardware (**H152**). Outside faces should be flush.



# Step 8

## Picnic Table Installation

1. Measure 12" and 24 1/2" up on Corner Uprights (778) (779) and mark locations. Attach 2 Hole Facias (742) to Corner Uprights (778) (779) on the 12" marks using 1/4" Hardware (H1) and 5/16" Hardware (H108). Holes in the 2 Hole Facias (742) should be down.
2. Position Seat Boards (229) on lower 2 Hole Facias (742) and attach using #8 Hardware (H152).
3. Center Seat Runners (718) on Seat Boards (229) and attach using #8 Hardware (H152).
4. On the 24 1/2" marks, attach 2 Hole Facias (742) to Corner Uprights (778) (779) using 1/4" Hardware (H1) and 5/16" Hardware (H108). Holes in the 2 Hole Facias (742) should be down.
5. Center Picnic Table Boards (208) on 2 Hole Facias (742) and attach using #8 Hardware (H152) (as shown).
6. Center Table Runner (719) on center pre-drilled holes on Picnic Table Boards (208) and attach using #8 Hardware (H194).

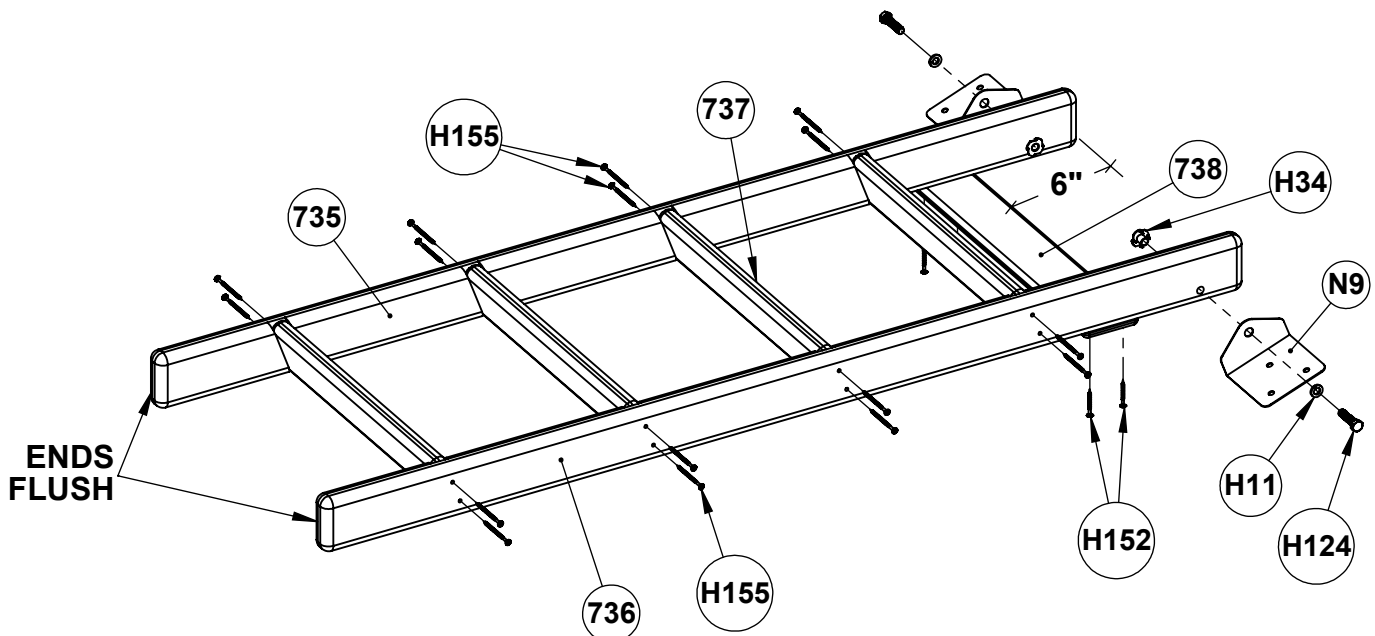


# Step 9

## Step Ladder Assembly

**\*NOTE:** To ease assembly, assemble Ladder on a flat surface.

1. Flush surfaces of Left Step Ladder Leg (735) and Right Step Ladder Leg (736).
2. Center Steps (737) on Ladder Legs (735) (736) and attach using #8 Hardware (H155).
3. Measure down approximately 6" from the top of Ladder Legs (735) (736) and attach Ladder Entrapment Board (738) using #8 Hardware (H152).
4. Attach Brown 90° Ladder Brackets (N9) to Ladder Legs (735) (736) (as shown) using 3/8" Hardware (H11) (H34) (H124). Do not fully tighten hardware at this time.



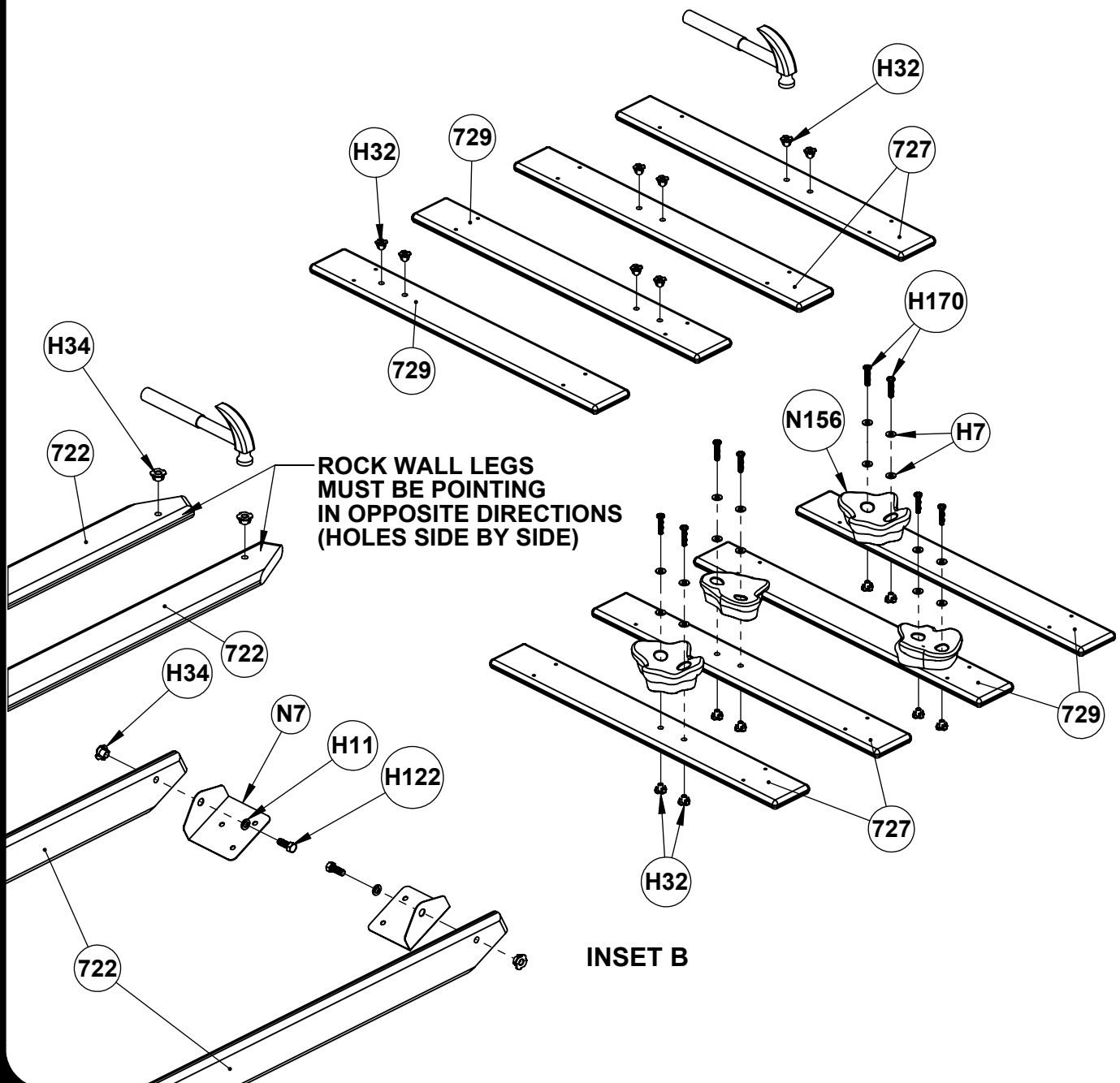


# Step 10

## Rock Wall Assembly

1. Place Rock Wall Legs (722) on a flat surface with ends pointing in opposite directions (with holes side by side). Insert 3/8" Hardware (H34) into pre-drilled holes. Use a hammer to gently tap hardware into place until flush with face of wood.
2. Place Rock Wall Boards (727) (729) on a flat surface and insert 1/4" Hardware (H32) into pre-drilled holes. Use a hammer to gently tap hardware into place until flush with face of wood.
3. Position Blue 90° Ladder Brackets (N7) as shown in Inset B and attach to Ladder Legs (722) using 3/8" Hardware (H9) (H11) (H122) and previously installed 3/8" Hardware (H34). Do not fully tighten hardware at this time.
4. Attach Rocks (N156) to Rock Wall Boards (727) (729) using 1/4" Hardware (H7) (H170) and previously installed 1/4" Hardware (H32).

**\*NOTE: Four 1/4" SAE Washers (H7) must be used per Rock (as shown in Inset B).**

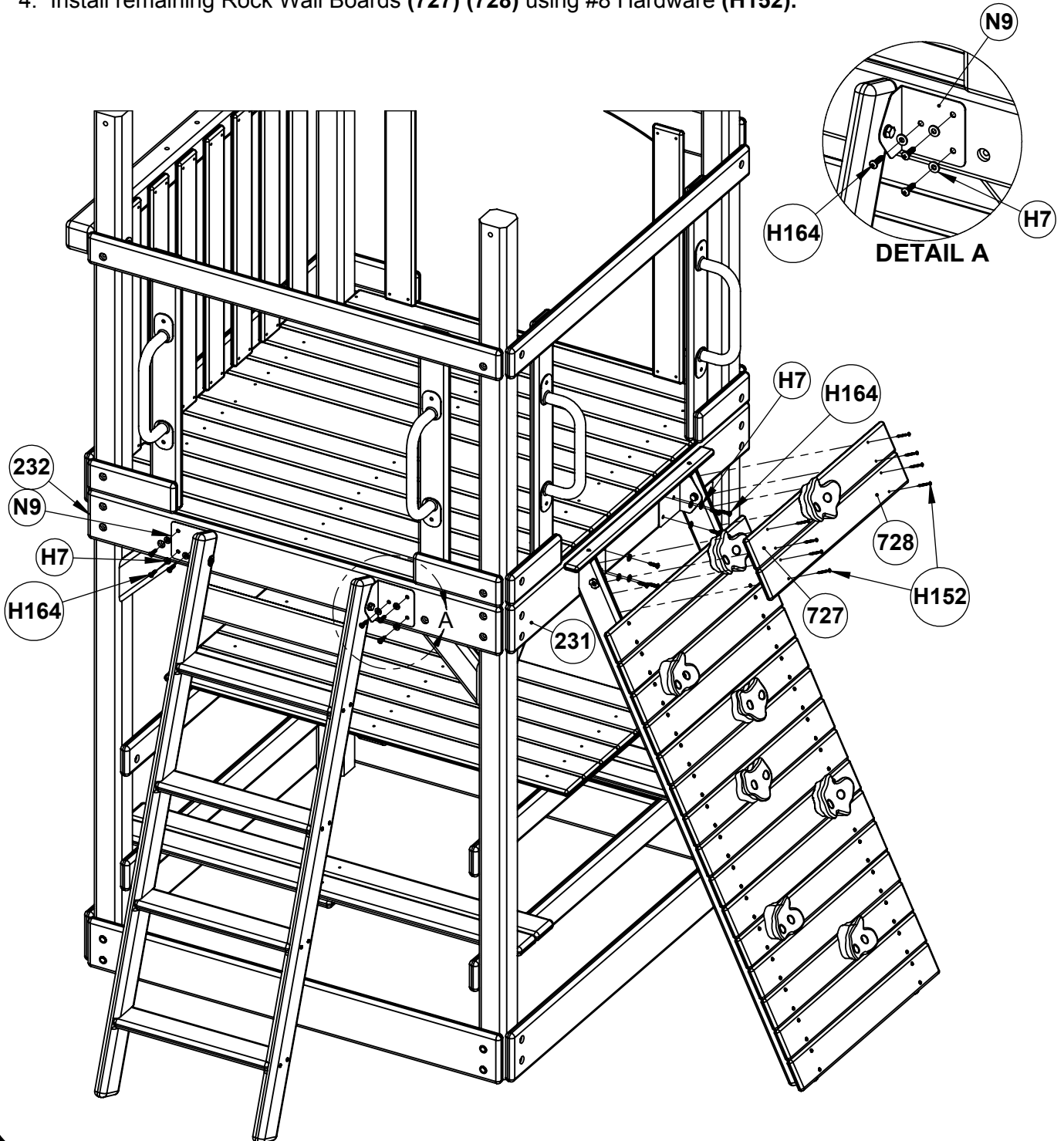




# Step 12

## Step Ladder & Rock Wall Installation

1. Center Ladder Assembly on 6 Hole Facia (232) and attach using 1/4" Hardware (H7) and #14 Hardware (H164) (as shown in Detail A).
2. Center Rock Wall Assembly on 4 Hole Facia (231) and attach using 1/4" Hardware (H7) and #14 Hardware (H164). Top Rock Wall Board should be flush with the top of the Deck.
3. Tighten 3/8" Hardware in all four Ladder Brackets (N7) (N9).
4. Install remaining Rock Wall Boards (727) (728) using #8 Hardware (H152).

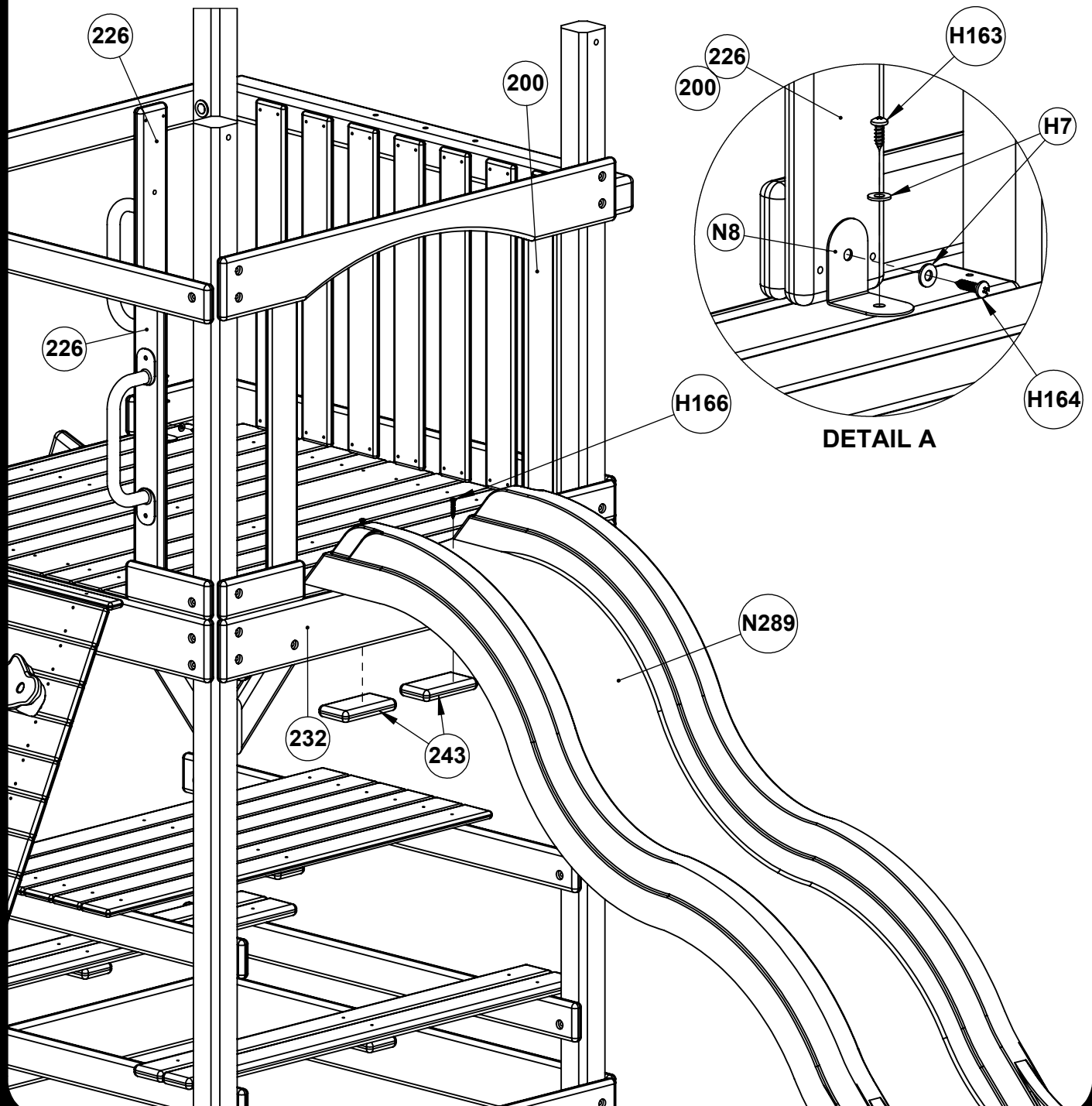


# Step 13

## Slide Installation

**\*NOTE: Pre-drill 1/8" holes, 1/2" deep, for all #14 Screws (H163) (H164).**

1. Center Wave Slide (N289) in the opening and position approximately 4" back from 6 Hole Facia (232).
2. Position Slide Runners (243) under the deck boards and attach Slide (N289) through the deck boards, into Slide Runners (243) using #14 Hardware (H166).
3. Center a Small 90° Bracket (N8) behind each Rail Upright w/Handle Holes (226) and the Rail Uprights (200) around the Slide opening and attach bracket to deck using 1/4" Hardware (H7) and #14 Hardware (H163) and to Rail Uprights (200) (226) using 1/4" Hardware (H7) and #14 Hardware (H164) (as shown in Detail A).



# Step 14

## Swing Assembly

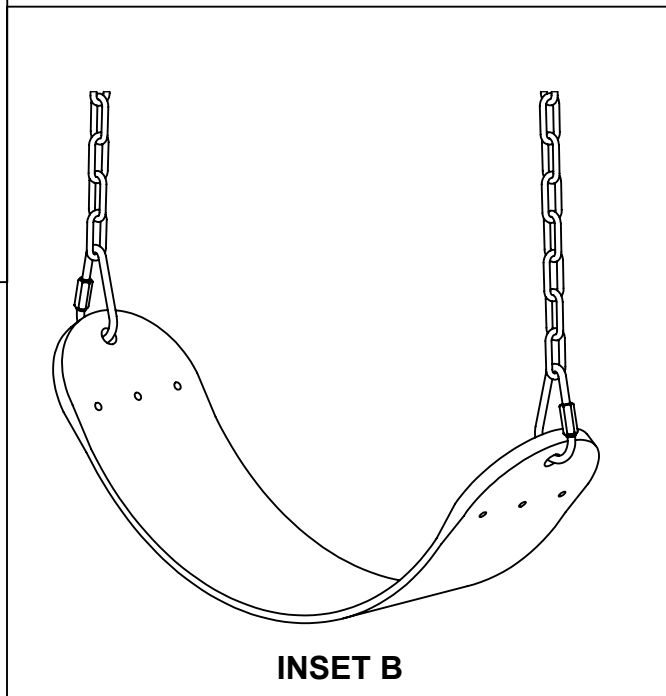
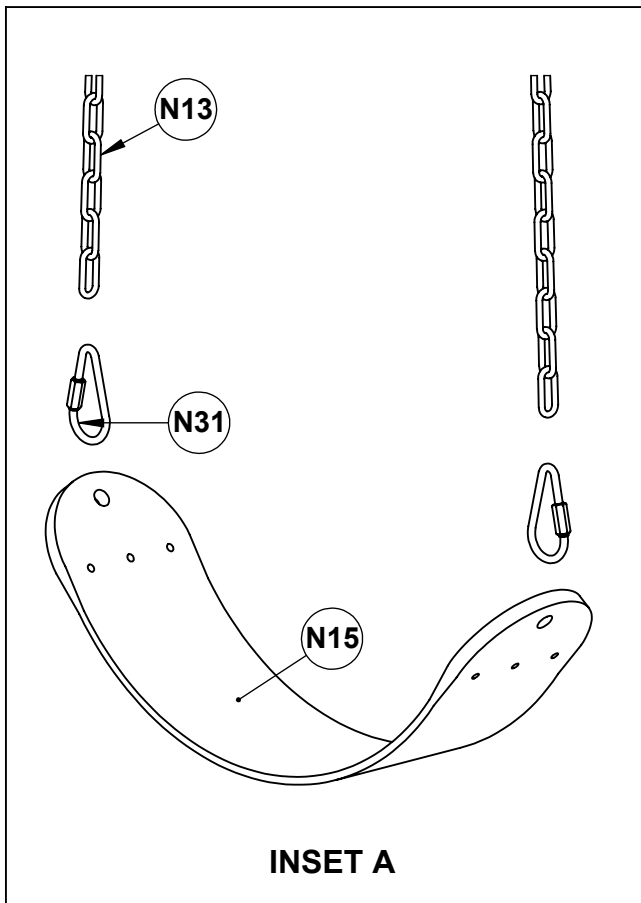
1. Open Pear Links (N31).

**\*NOTE:** When closing Pear Links, securely tighten using a Crescent® wrench.

2. Attach two Long Chains (N13) to each Swing Seat (N15) using Pear Links (N31) (as shown in Inset A).

**\*NOTE:** When completed, swing assemblies should look as shown in Inset B.

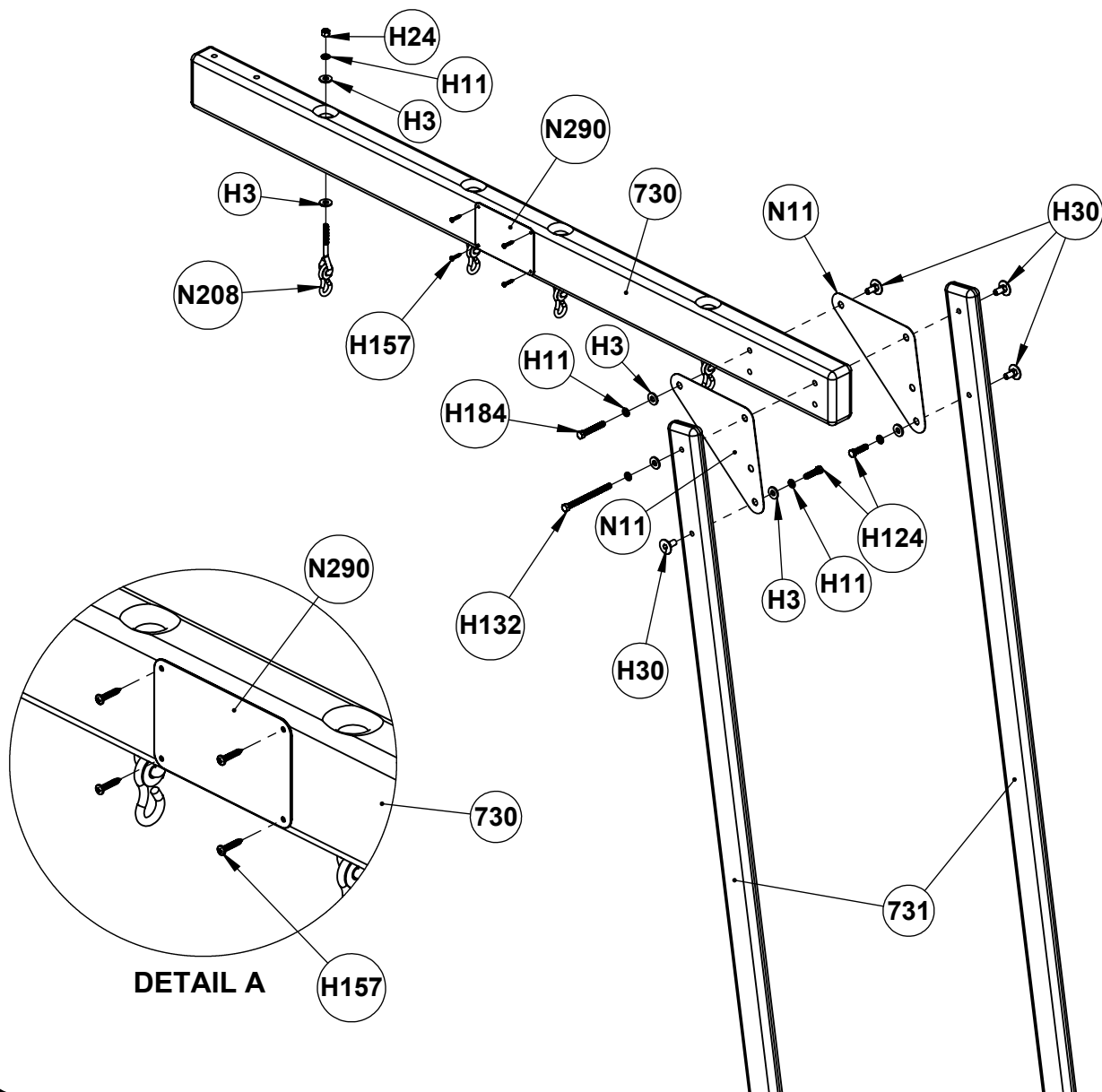
3. Securely close all Pear Links (N31) by tightening with a Crescent® wrench.



# Step 15

## Swing Beam Assembly

1. Attach Swing Hangers (N208) to Swing Beam (730) using 3/8" Hardware (H3) (H11) (H24).  
**\*NOTE: One flat washer (H3) and Nylock Nut (H24) come packaged with each swing hanger.**
2. Position Plaque (N290) in the approximate position shown and attach to Swing Beam using Hardware (H157).  
  
**\*NOTE: Do not tighten hardware in Support Plates (N11) at this time.**  
**\*NOTE: Support Plates (N11) must be oriented as shown.**
3. Attach Support Plates (N11) to the Swing Beam Support Legs (731) using 3/8" Hardware (H3) (H11) (H30) (H124). Use a hammer to pound in 3/8" Hardware (H30) if needed.
4. Position Swing Beam (730) between Support Plates and attach Swing Beam (730) to Swing Beam Support Legs (731) and Support Plates (N11) using 3/8" Hardware (H3) (H11) (H30) (H132). Use a hammer to pound in 3/8" Hardware (H3) if needed.  
**\*NOTE: Use top set of holes in Swing Beam (730). Bottom holes can be used to adjust the level of the Swing Beam if needed.**  
**\*NOTE: Do not tighten hardware at this time.**
5. Lift up on Swing Beam assembly and attach Swing Beam (730) to Support Plates (N11) using 3/8" Hardware (H3) (H11) (H30) (H184). Use a hammer to pound in (H30) if needed.

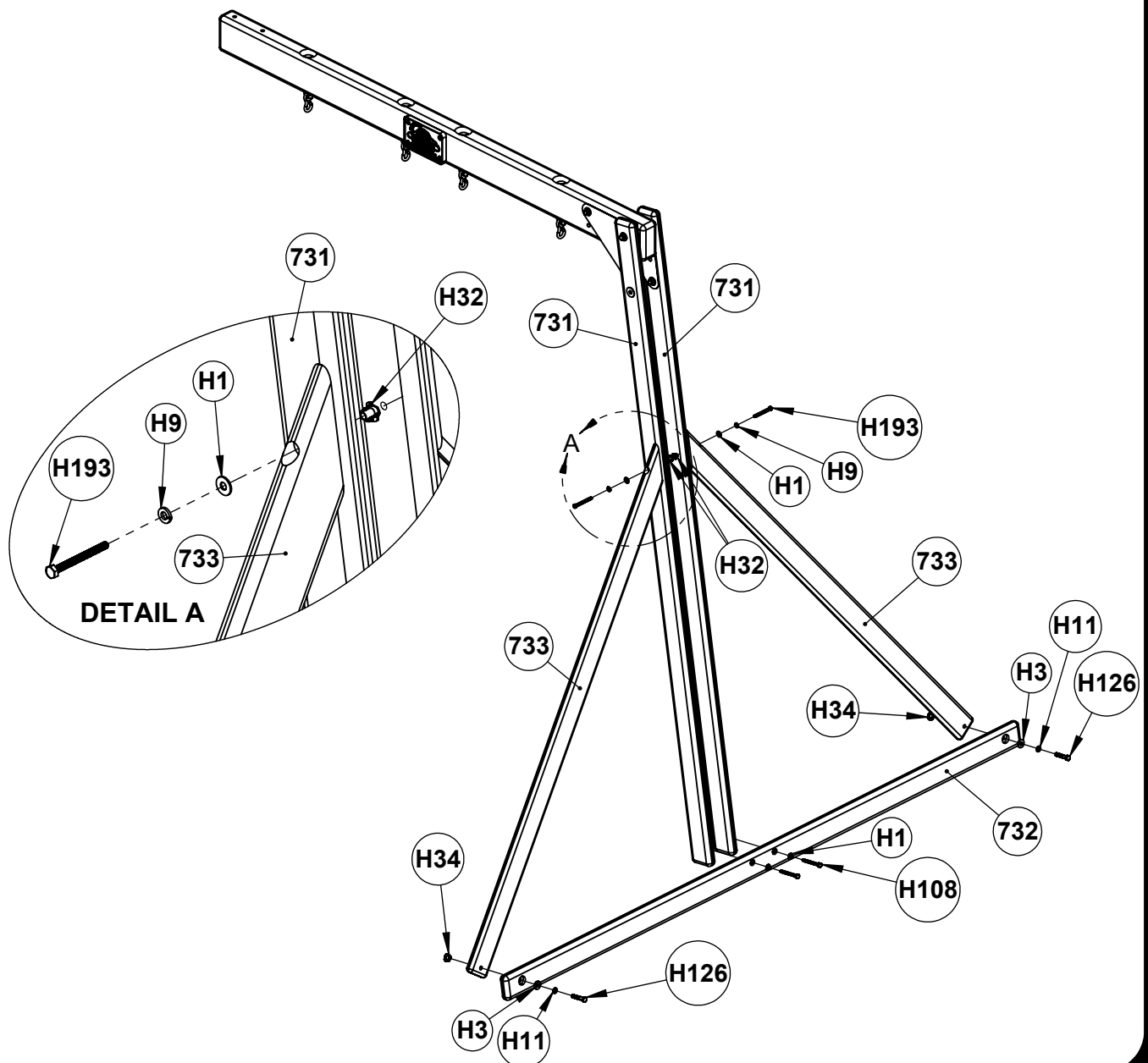


# Step 16

## Swing Beam Support Assembly

**\*NOTE: Pre-drill holes for all Lag Bolts with the appropriate drill bit.**

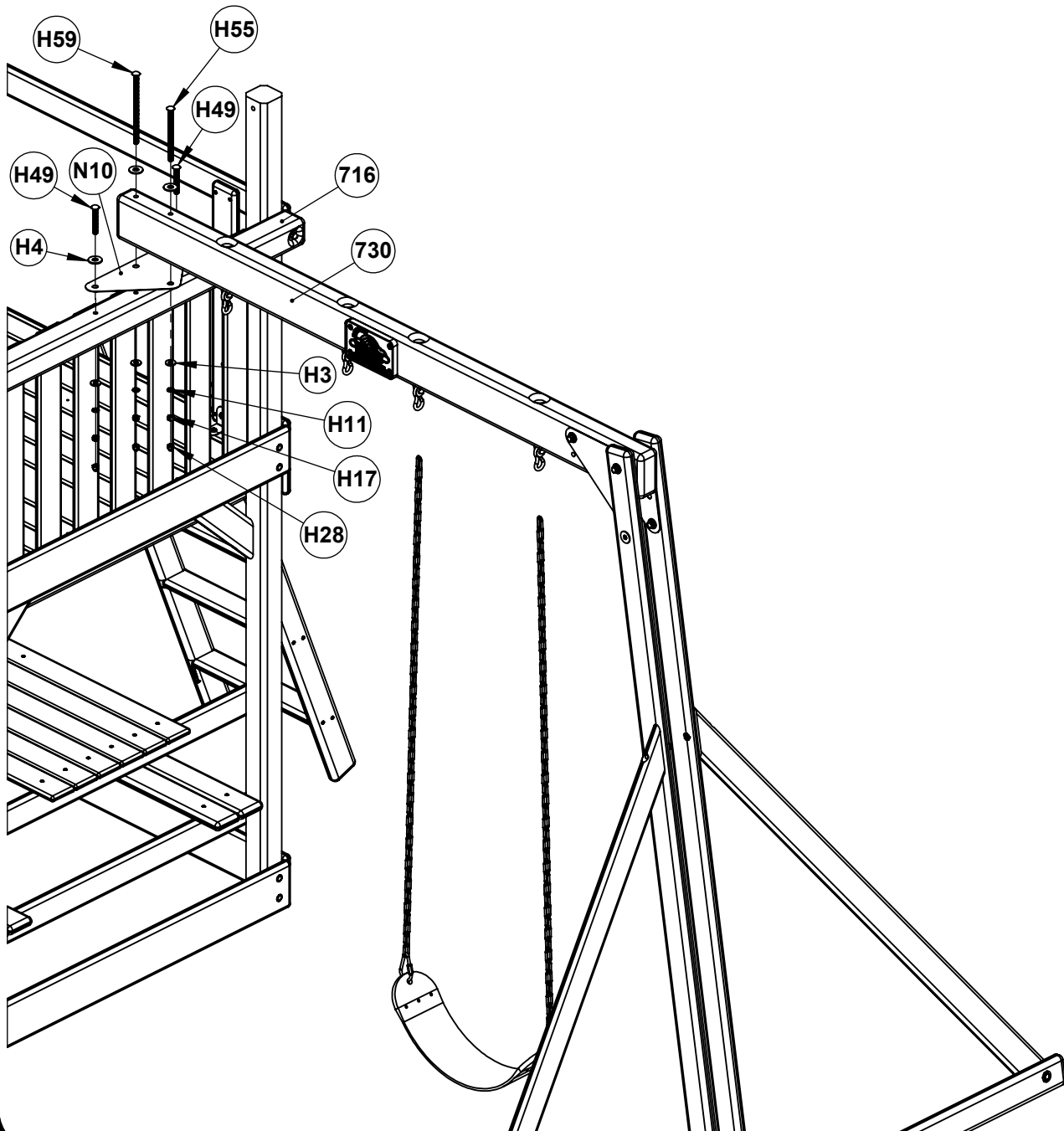
1. Attach Swing Beam Ground Runner (732) to Swing Beam Support Legs (731) using 1/4" Hardware (H1) and 5/16" Hardware (H108). The bottom of the Ground Runner (732) should be flush with the bottoms of the Swing Beam Support Legs (731) and the Ground Runner must be square with the Support Legs.
2. Position Swing Beam Wings (733) on a flat surface with pointed ends facing opposite directions. Use a hammer to insert 3/8" Hardware (H30) into pre-drilled holes in Swing Beam Wings (733).
3. Attach Swing Beam Wings (733) to Ground Runner (732) using 3/8" Hardware (H3) (H11) (H126).
4. Position pointed end of Swing Beam Wings (733) against Support Legs (731) and mark locations of holes. Drill through Support Legs (731) using a 7/16" drill bit.
5. Attach Swing Beam Wings (733) to Support Legs (731) using 1/4" Hardware (H1) (H9) (H32) (H193) (as shown in Detail A).



# Step 17

## Swing Beam Installation

1. Place Swing Beam Plate (N10) on top of Top Joist w/ Swing Holes (716) and attach through the two outside holes using 1/2" Hardware (H4) and 3/8" Hardware (H3) (H11) (H17) (H49). Do not tighten hardware at this time.
2. Lift the Swing Beam assembly into position on top of the Swing Beam Plate (N10) and attach using 1/2" Hardware (H4) and 3/8" Hardware (H3) (H11) (H17) (H55) (H59).  
**\*NOTE: Check level of Swing Beam at this time. Slight adjustments can be made by adding or removing soil from under the Swing Beam Support. If Swing Beam cannot be leveled, remove hardware in Support Plates (N11) and move to second set of holes on the Swing Beam.**
3. Tighten all Swing Beam hardware from Steps 15-17. Add 3/8" Acorn Nuts (H28) to hardware in Swing Beam Plate (N10) and tighten.
4. Attach Swings to Swing Hangers (N208). Adjust Swings until there is at least 8" between the ground and the bottom of the Swing.

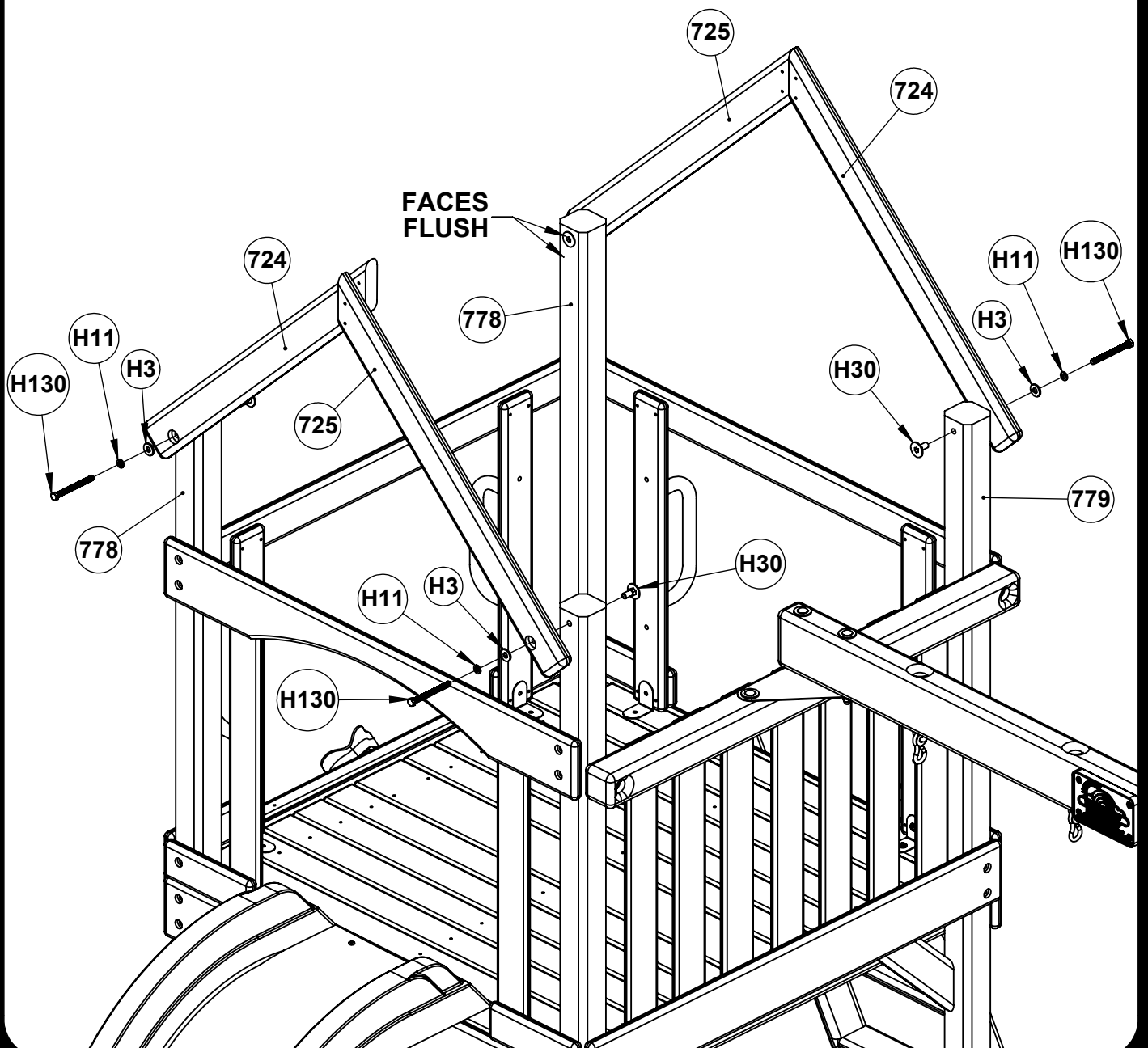




# Step 18

## Wood Roof Installation

1. Install 3/8" Hardware (**H30**) in pre-drilled holes of Corner Uprights (**778**) and Corner Uprights w/TJ Hole (**779**) by gently tapping with a hammer until flush with the surface of the Uprights (**778**) (**779**).
2. Position Left and Right Roof Supports (**724**) (**725**) as shown and attach using 3/8" Hardware (**H3**) (**H11**) (**H30**) (**H130**). Do not fully tighten hardware at this time.



# Step 19

## Wood Roof Installation

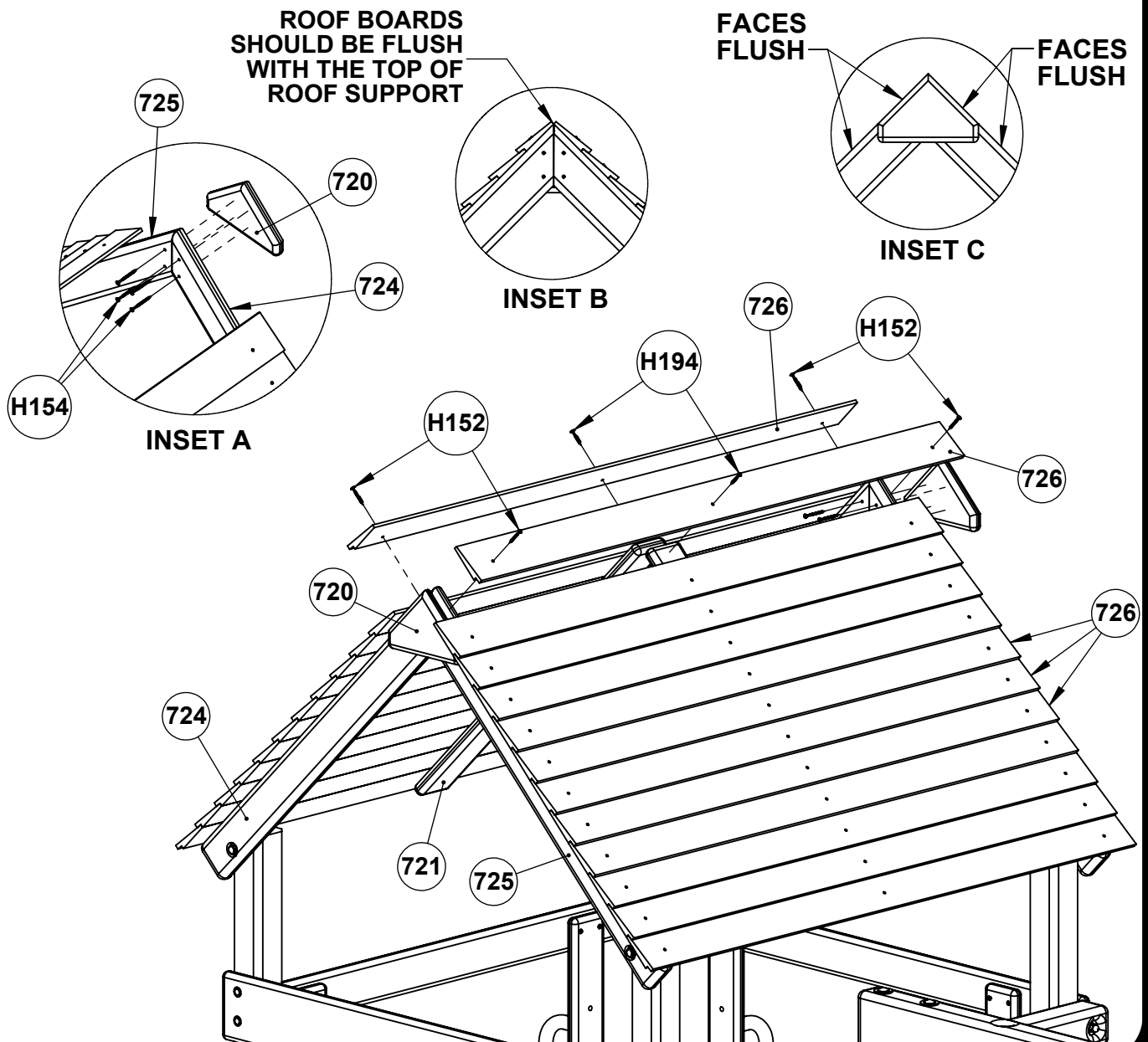
**\*NOTE:** This step will require 2-3 people to complete.

**\*NOTE:** A stable stepping block or short ladder may be required to install the top Roof Boards (726).

**\*NOTE:** Have a helper hold Roof Supports (724) (725) in place while installing the first 2-4 Roof Boards on each side.

**\*NOTE:** Roof Boards (726) should overhang Roof Supports (724) (725) approximately 1 3/4".

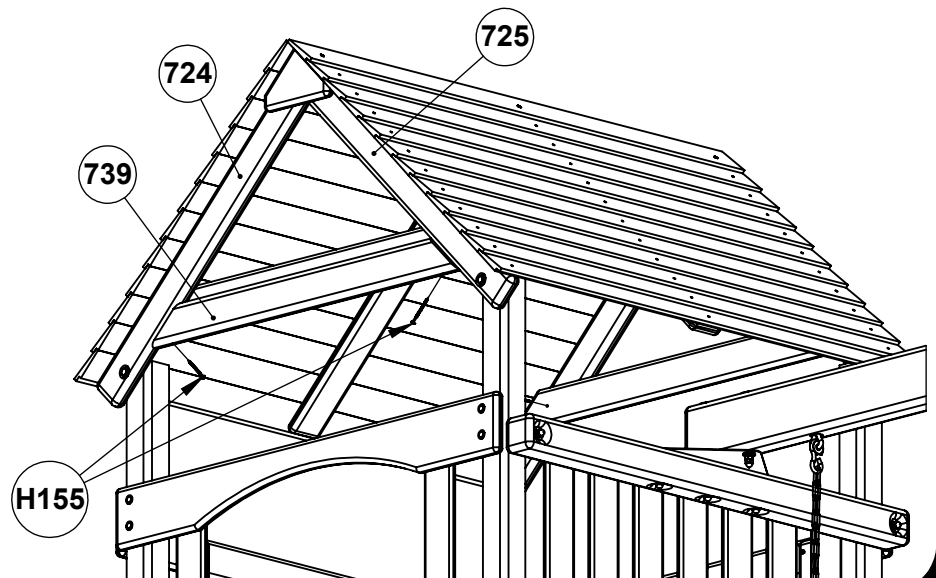
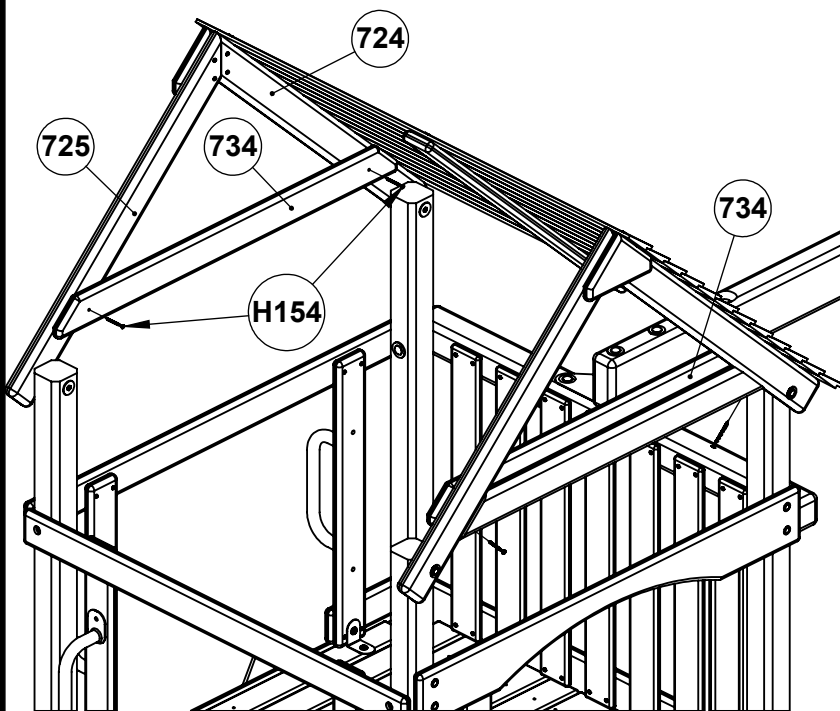
1. Position Roof Supports (724) (725) so they form a peak (as shown) and attach Peak Facia (720) using #8 Hardware (H154) (as shown in Inset A). Edges of Peak Facia (720) must be flush with Roof Supports (724) (725) (as shown in Inset C).
2. Tighten 3/8" Hardware from Step 18 at this time.
3. Starting from the top, center Roof Boards (726) on Roof Supports and attach using #8 Hardware (H152). Roof Boards should be flush with the top of the Roof Supports (as shown in Inset B).
4. After the first few Roof Boards are installed, center and begin attaching Roof Runner (721) to the bottom side of Roof Boards using #8 Hardware (H194). Continue attaching Roof Boards to Roof Supports and Roof Runner.
5. Repeat for other side of roof.



# Step 20

## Wood Roof Installation

1. Position Fan Horizontals (734) in a level position against the back side of Roof Supports (724) (725) and push up until they touch the bottom of Roof Boards. Attach Fan Horizontals (734) using #8 Hardware (H154).
2. On the Slide side of the set, position Angled Facia (739) between Roof Supports (724) (725) and against Fan Horizontal (734) and attach using #8 Hardware (H155).





# Step 22

## Stake Installation

**\*WARNING: BEFORE ANCHORING PLAYSET, ALL UNDERGROUND UTILITIES MUST BE LOCATED.**

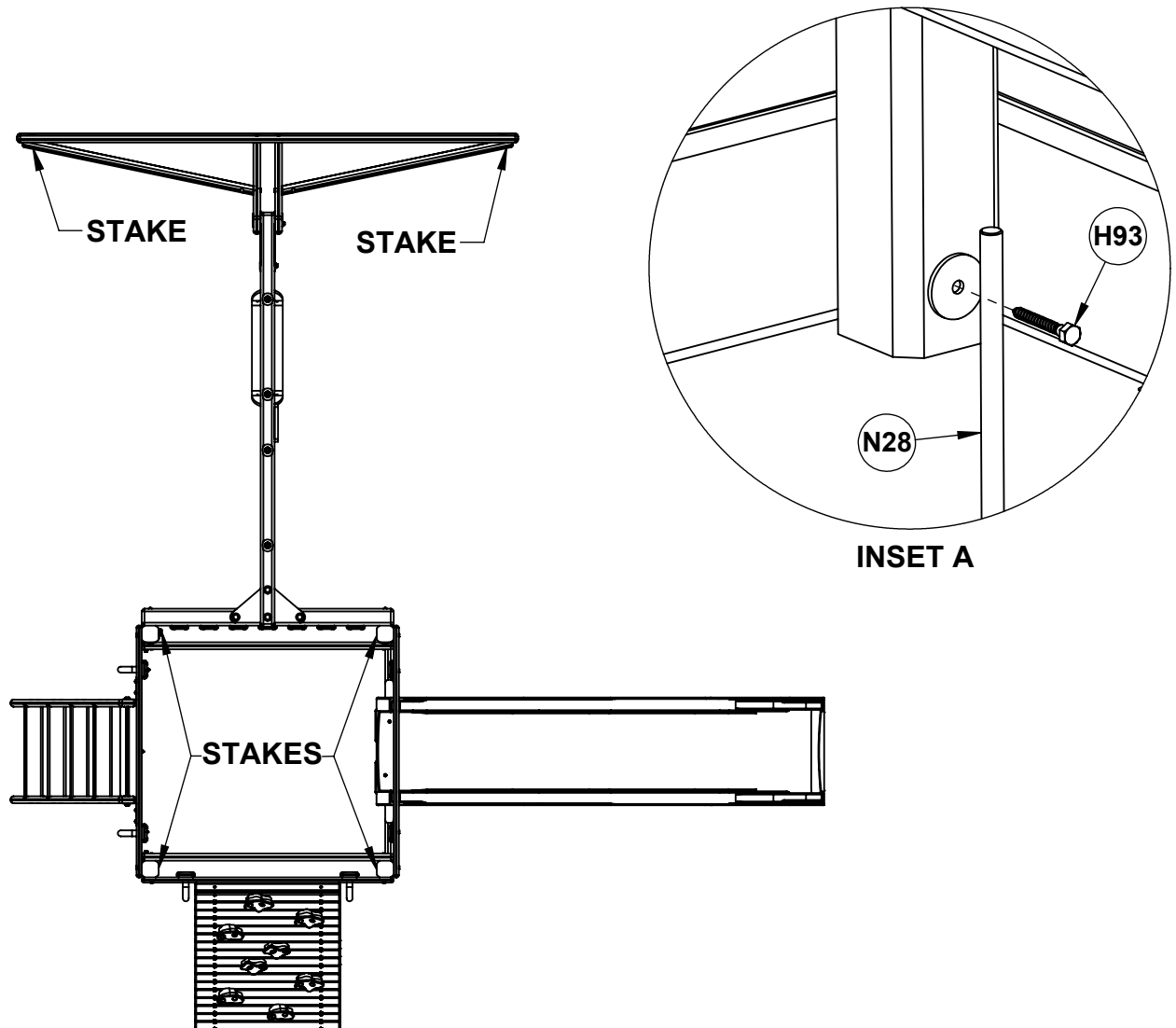
**\*NOTE: Pre-drill holes for all Lag Bolts with appropriate drill bit.**

1. Drive Stakes (N28) into the ground (in locations shown) and attach to Corner Uprights and Swing Beam Wings using 1/4" Hardware (H93). Stakes (N28) should stick out 2" - 4" above the ground.

**\*NOTE: Stakes must be as close as possible to the Corner Uprights and Swing Beam Wings.**

**\*NOTE: For maximum strength, drive Stakes into the ground at a slight angle.**

**\*CAUTION: Do not hit washer while pounding the stakes into the ground. This may cause the washer to break off.**



## Limited One-Year Warranty & Limited Five-Year Prorated Warranty

### The Rocket Clubhouse by Rocket Playgrounds LLC

Please supervise your children's play activity and maintain your play equipment periodically as specified in the owner's manual.

**Subject to proper installation and normal residential use, Rocket Playgrounds LLC warrants to the original retail purchaser:**

- all **NON-WOODEN PARTS** (including, but not limited to, all tarps, chain, seats, screws, powder-coated parts [brackets, rungs and handles], rocks, and accessories) will be free from defects in material and workmanship for a period of **ONE YEAR** from the date of purchase. For purposes of any warranty offered by Rocket Playgrounds LLC, the following are not considered defects in materials and workmanship if they do not affect the functionality or structural integrity of the component or system: (1) cosmetic cracks in plastic components; (2) surface rust on hardware or powder-coated components; and (3) fading of any component or accessory. Merchandise covered under this limited one-year warranty will be repaired or replaced, at Rocket Playgrounds LLC option and shipped at the customer's expense to the customer per Rocket Playgrounds LLC normal method and timing of shipments. Expedited shipping to the dealer location or to the customer's designated location is also available but must be fully prepaid by the customer prior to shipment. Any warranty work that must be performed on site does not qualify under the warranty specification and will be billed directly to the purchaser.
- all **WOODEN COMPONENTS** against structural failure due to wood rot or insect infestation pursuant to a **FIVE-YEAR PRORATED WARRANTY** from the date of purchase. Peeling, splintering, minor cracking caused by weather, surface cracks, knot holes and knots are natural characteristics of all wooden play equipment. Such imperfections that do not affect the structural integrity or are caused by everyday wear and tear are not covered under this warranty. Wooden components covered under this limited five-year prorated warranty will be replaced subject to the following prorating schedule of replacement part costs to the customer and shipped to the retail location handling the warranty work for the customer:

MONTHS	% OF REPLACEMENT PART + COST PAID BY CUSTOMER
1-12	0% plus S&H 30 days after the date of purchase
13-24	20% + S&H
25-36	40% + S&H
37-48	60% + S&H
49-60	80% + S&H
60+	100% + S&H

In addition to paying shipping and handling charges for the warranty parts as specified above, all labor costs, travel expenses and any other charges involved in the installation or replacement of the warranty parts will be your (the original purchaser's) responsibility. The warranty coverage described in this paragraph is the customer's sole and exclusive remedy and lasts only as long as the original purchaser owns the Rocket Clubhouse and terminated if the original purchaser sells or otherwise transfers the unit. Rocket Playgrounds will replace any parts within the first 30 days found to be missing from or damaged in the original packaging from date of purchase.

It is recommended that you affix your original sales receipt to the Owners Manual and retain these documents for your records. **NO WARRANTY CLAIMS CAN BE PROCESSED WITHOUT A COPY OF YOUR ORIGINAL SALES RECEIPT FROM AN AUTHORIZED RETAILER.** Rocket Playgrounds LLC reserves the right to examine photographs or physical evidence of merchandise claimed to be defective, and to recover said merchandise, prior to disposition of warranty claims. Merchandise returned to our factory for examination or recovery must be shipped freight prepaid. For purposes of any warranty offered by Rocket Playgrounds LLC, the following are not considered defects in materials and workmanship if they do not affect the functionality or structural integrity of the component or system: (1) non-properly installed equipment (2) installed for non-residential use (3) cosmetic cracks in plastic components; (4) surface rust on hardware or powder-coated components; and (5) fading of any component or accessory without limitation.

**USE OF THIS PLAYSET IN ANYTHING OTHER THAN A RESIDENTIAL SETTING OR APPLICATION VOIDS ALL WARRANTY COVERAGES AS DESCRIBED HERIN.** Failure to maintain the play system properly - including, without limitation and by way of example only, not staining the unit or not checking or tightening the hardware as specified in the owner's manual - may cause the warranties described herein not to apply in certain circumstances. No warranty is offered on the following: (1) equipment subjected to abuse, negligence, improper installation, vandalism, acts of God, unauthorized alteration or attachment of equipment other than authorized Rocket Playgrounds LLC accessories; or (2) equipment subjected to improper use, service or repair.

(Continued on next page)

## Limited One-Year Warranty & Limited Five-Year Prorated Warranty (Continued from previous page)

To the maximum extent permitted by law, this warranty and the remedies set forth herein are exclusive and expressly in lieu of all other warranties, expressed or implied, including warranties of merchantability or fitness for a particular purpose. If Rocket Playgrounds LLC cannot disclaim or exclude implied warranties under applicable law, then to the extent possible any claims under any such implied warranties shall expire on expiration of the applicable warranty period. Some states do not allow limitations on how long an implied warranty lasts, so the above limitation may not apply to you. Rocket Playgrounds LLC does not assume, or authorize any person to assume for us, any other liability in connection with the sale of our products.

To the maximum extent permitted by law, Rocket Playgrounds LLC. assumes no responsibility for incidental or consequential damages which may arise from the purchase or use of our equipment. Some states do not allow the exclusion or limitation of incidental or consequential damages, so the above limitation or exclusion may not apply to you.

If any provision of this limited warranty is invalid, void or unenforceable in any instance or respect, the unenforceable provision will be severed and reformed to affect the intent of this limited warranty to the maximum extent possible, and the remaining provisions shall continue in full force and effect and shall be enforced to the full extent permitted by law.

This warranty gives you specific legal rights, and you may also have other rights, which vary from state to state.

Rocket Playgrounds LLC reserves the right at any time to change product specifications or substitute similar components.

**PLEASE REGISTER YOUR PRODUCT ONLINE at <http://register.rainbowplay.com> WITHIN 30 DAYS OF INSTALLATION OF YOUR PLAY SET. THIS REGISTRATION WILL BE USED ONLY FOR INTERNAL RECORDKEEPING PURPOSES AND TO VERIFY ORIGINAL OWNERSHIP OF YOUR PLAY SET.**

For warranty service, contact your local Rocket Playgrounds dealer or Rocket Playgrounds LLC at 1-800-724-6269